

Owner's Manual with Installation Instructions

Gauge Pod Install Manual

Universal Fitment

THIS MANUAL IS FOR USE WITH PART NUMBER 63341

Gale Banks Engineering
546 Duggan Avenue • Azusa, CA 91702
(626) 969-9600 • Fax (626) 334-1743

Product Information & Sales: (888) 635-4565
Customer Support: (888) 839-5600
Installation Support: (888) 839-2700

bankspower.com

Section 1: ASSEMBLY

Dear Customer,

If you have any questions concerning the installation of your Banks Techni-Cooler, please call our Technical Service Hotline at (888) 839-2700 between 7:00 am and 4:00 pm (PT). If you have any questions relating to shipping or billing, please contact our Customer Service Department at (888) 839-5600.

Thank you.

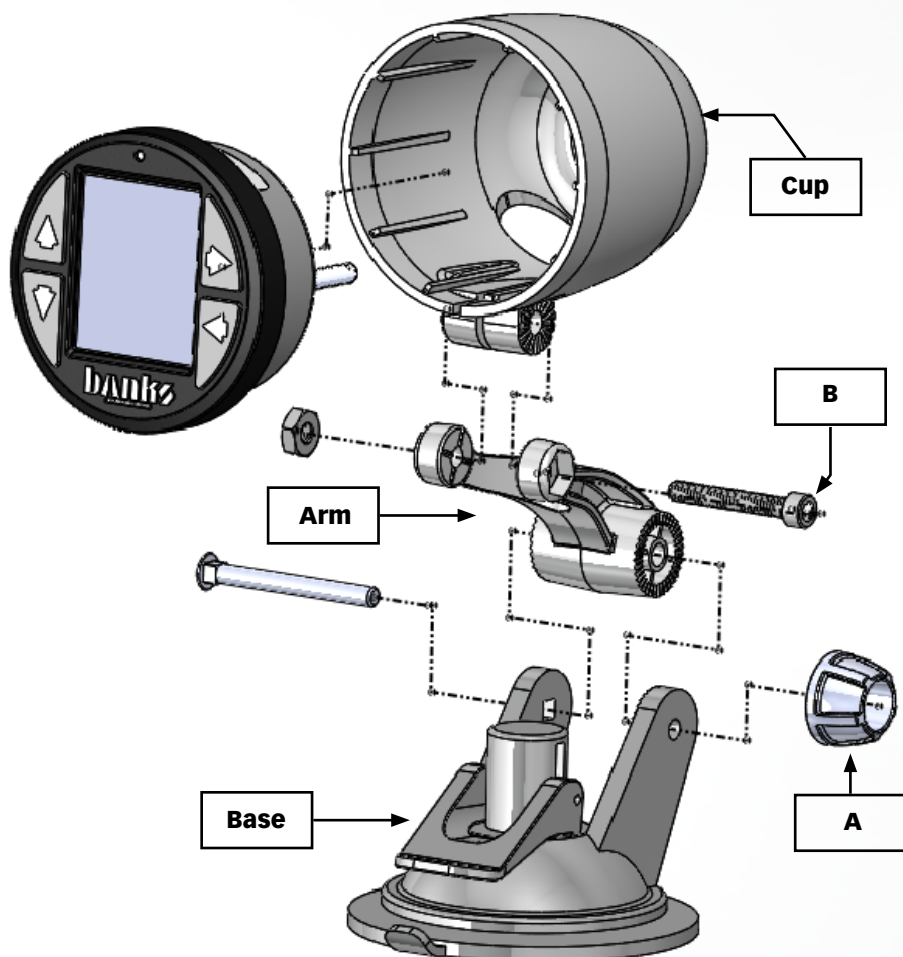
1. Before starting work, familiarize yourself with the installation procedure by reading all of the instructions.
2. The exploded views (**Page 3**) provides only general guidance. Refer to each step and section diagram in this manual for proper instruction.

1.0 Assembly

1. Assemble the **Arm** to the **Base** in the orientation shown in **Figure 1**. Tighten **Nut A** finger tight.
2. Install the **Cup** to the **Arm** in the orientation shown in **Figure 1**. Tighten **Screw B** lightly using the supplied hex key wrench.
3. Insert the Gauge into the **Cup**. Do not use the sleeve and nuts provided with the gauge. If the gauge will not fully insert, loosen **Screw B** until the gauge can be full inserted.
4. Use the provided alcohol wipe to clean the mounting surface. The suction cup can be mounted to the windshield as well as most dashboards.
5. To mount the suction cup, remove the protective film. Start with the Base locking tab in the up position, push down firmly on the **Base** to the mounting surface, then push the locking tab down to secure the **Base**.
6. Adjust the angle appropriately for your vehicle then tighten **Nut A** finger tight and **Screw B** using the provided hex key.

Section 2: EXPLODED VIEW

Figure 1, Exploded View



Gale Banks Engineering
546 Duggan Avenue • Azusa, CA 91702
(626) 969-9600 • Fax (626) 334-1743

Product Information & Sales: (888) 635-4565
Customer Support: (888) 839-5600
Installation Support: (888) 839-2700

bankspower.com