

INSTALLATION GUIDE

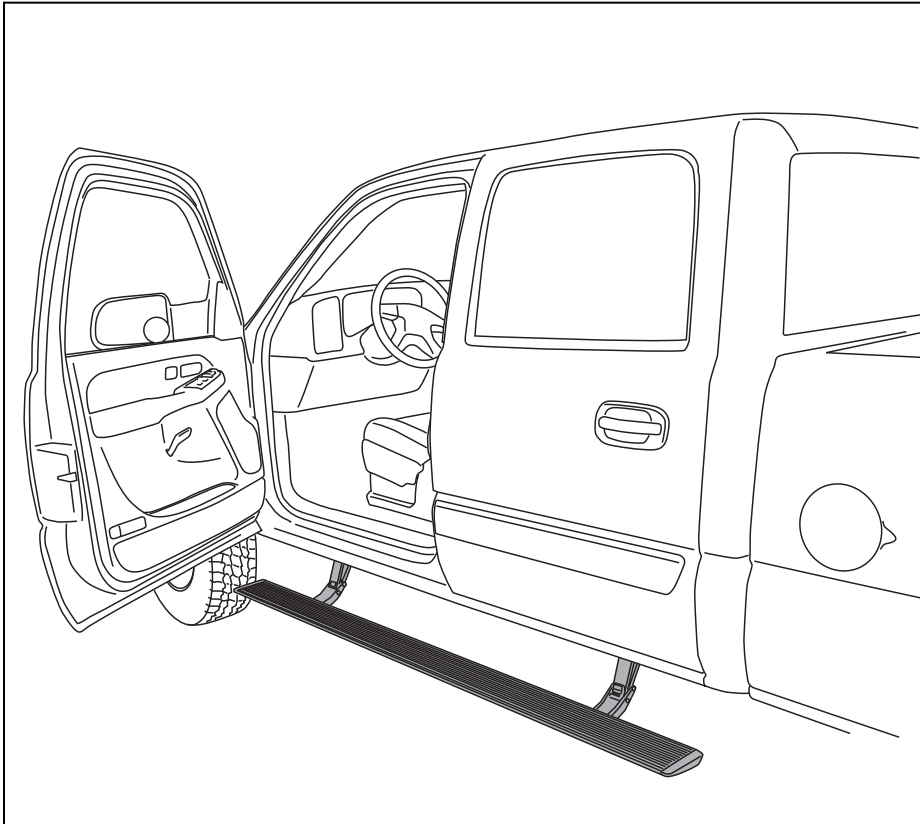
AMP RESEARCH Power Step

MADE IN USA

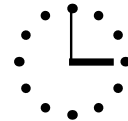
APPLICATION

AMP Part

Chevrolet Silverado / GMC Sierra - Ext. Cab	2007 - up	75123-01A
Chevrolet Silverado / GMC Sierra - Crew Cab	2007 - up	75126-01A
Chevrolet Silverado / GMC Sierra - Hybrid	2009 - up	75126-01A



INSTALLATION TIME



3:00 hrs

SKILL LEVEL



4= Experienced

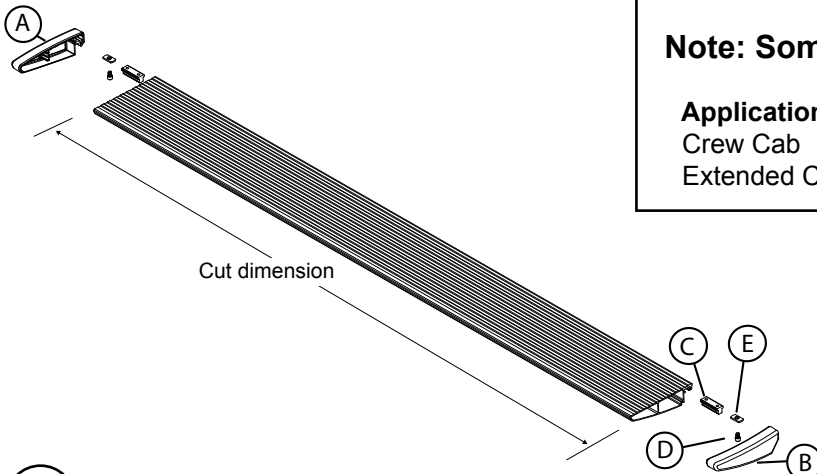
TOOLS REQUIRED

- Safety goggles
- Measuring tape
- Flat blade screwdriver
- Power Drill
- 9/32" drill bit
- 13 mm socket
- 10 mm socket
- Ratchet wrench and extension
- 13mm end wrench
- Wire crimpers
- Wire stripper / cutter
- 3/16" hex key wrench (allen wrench)
- 5mm hex key wrench (allen wrench)
- 4mm hex key wrench (allen wrench)
- Electrical tape
- Weather proof caulking (silicone sealer)
- Silicone spray

AMP RESEARCH TECH SUPPORT 1-888-983-2204 (Press 2) Monday - Friday, 6:00 AM - 5:00 PM PST

Designed and manufactured by AMP Research®. Patent Number 6,830,257; 6,641,158; 6,834,875; 6,938,909; 6,942,233; 7,007,961; 7,055,839; 7,163,221; 7,367,574; 7,380,807; 7,398,985; 7,413,204; 7,487,986. Other US and Worldwide patents pending. Made in USA © 2010 AMP Research
5-year limited warranty. Professional installation is recommended.

AMP RESEARCH POWER STEP – CHEVROLET / GMC

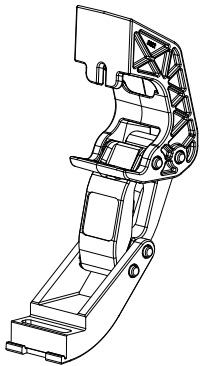


Note: Some Applications require modification.

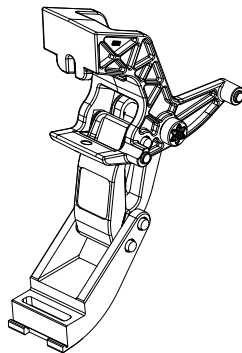
Application	Cut Length
Crew Cab	79" (No Modification Required)
Extended Cab	72" (Trim 7")

1 x2
20-03314-XX
Running board assembly

- (A) 19-03225-11 End cap left (x1)
- (B) 19-03225-12 End cap right (x1)
- (C) 19-02663-90 T-nut insert (x2)
- (D) 19-03236-90 Socket cap screw (x2)
- (E) 19-03237-90 Nut plate (x2)



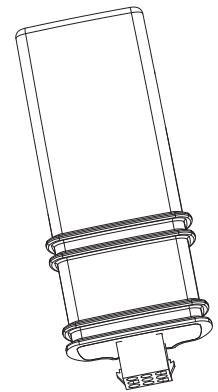
2 x2
10-03418-10
Idler linkage assembly



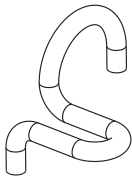
3 x2
10-03417-10
Motor linkage assembly



4
19-03416-91L
Wire harness

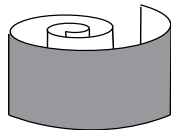


5
19-03297-93
Controller



USED ON SILVERADO
AND SIERRA
HEAVY DUTY ONLY.

6a
16-03079-90
Cable Bracket

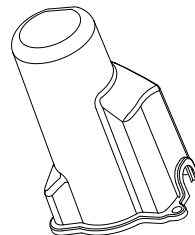


6b
19-03403-90
Rubber Tape

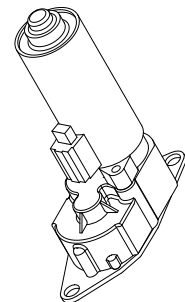


USED ON SILVERADO
AND SIERRA
HEAVY DUTY ONLY.

7
19-03088-90
Brake Cable Ring

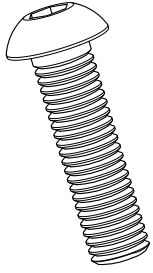


8 x2
19-03238-90
Motor Cover

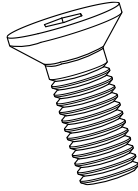


9 x2
19-03289-90
Motor

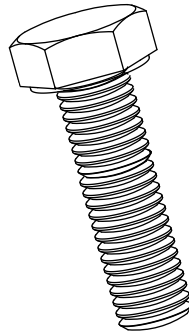
AMP RESEARCH POWER STEP – CHEVROLET / GMC



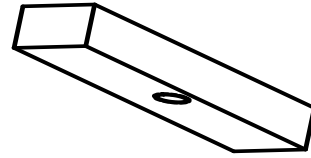
10 x4
16-02846-90
Socket Cap Screw



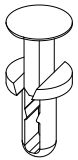
11 x4
19-03352-90
Socket Cap Screw



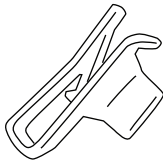
12 x5
19-03326-90
Hex Bolt



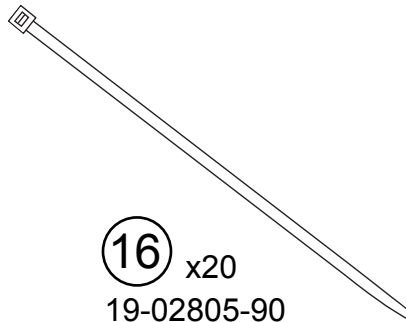
13 x4
17-03500-90
Threaded
clamping plate



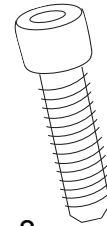
14 x6
19-02721-90
Cinch Fastener



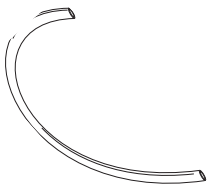
15 x4
19-03467-90
U-nut



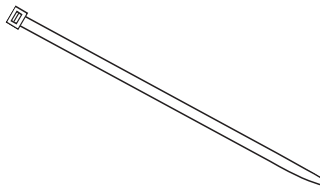
16 x20
19-02805-90
Cable tie (7")



17 x8
19-02802-90
Socket Cap Screw



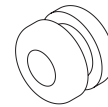
18
19-02992-90
Tubing (Installation Tool)



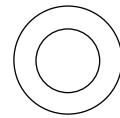
19 x2
19-03339-90
Cable tie (11")



20 x4
19-03354-90
Posi-Tap™



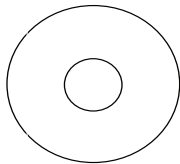
21
19-02640-90
Grommet



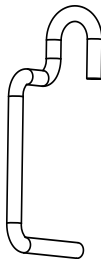
22 x4
16-03014-90
Washer



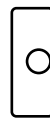
23
10-00115-60
Nylock Nut



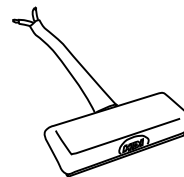
24 x2
19-02389-90
Washer



25
16-03515-90
Cable Bracket



26
15-03671-90
Spacer



27 x4
80-03302-90
LED Lamp

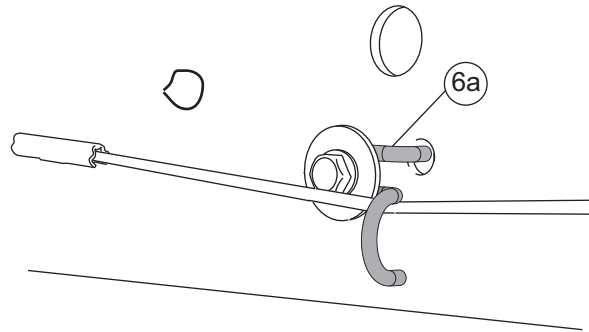


28 x8
19-02989-90
Butt Connector

Steps 2-3 for HD 2500 and 3500 only!
For all other vehicles skip to Step 4.

Short Bed: Step 2 only

Long Bed: Steps 2 and 3.

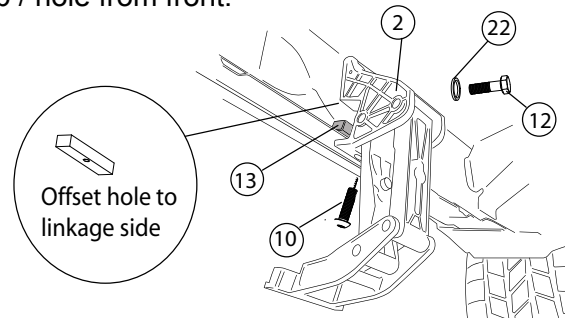


Remove forward most parking brake cable guide and replace with new guide (6). On some models that do not utilize this guide rubber tape is included. Wrap tape around bracket.

1

2

Install driver side front idler linkage in first sheetmetal tab / hole from front.

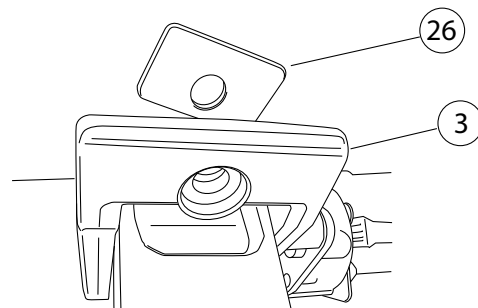


Install threaded clamping plate (13) on top of pinch weld and thread fastener (10) into clamping plate and finger tighten. Install fastener (12), finger tighten only. Next tighten fastener (10) to 16 ft-lbs. (22N m).

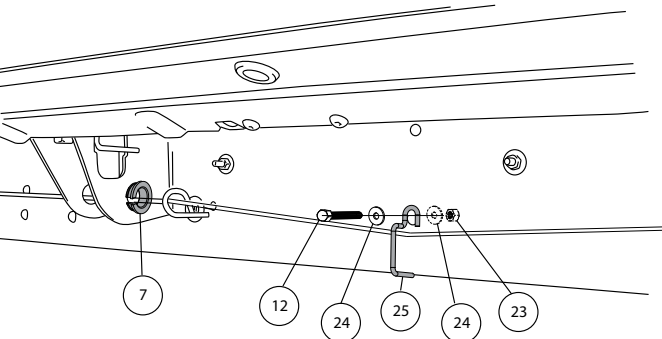
4

Extended Cab Trucks ONLY

Install passenger side motor linkage
Position spacer (26) between body pinch weld and linkage mounting flange (3) as shown.



6

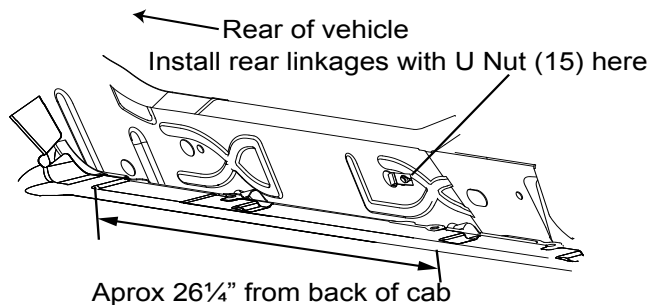


Install nut and washer on back side of frame rail

Install plastic brake cable guide (7) in rear of middle body mount. Install new parking brake cable guide (25) in existing frame hole as shown.

3

Install driver side rear motor linkage in fourth sheetmetal tab / hole from front. Linkage will then clear parking brake cable. Crew Cab: repeat linkage installation on passenger side. Extended Cab: go to step 6.

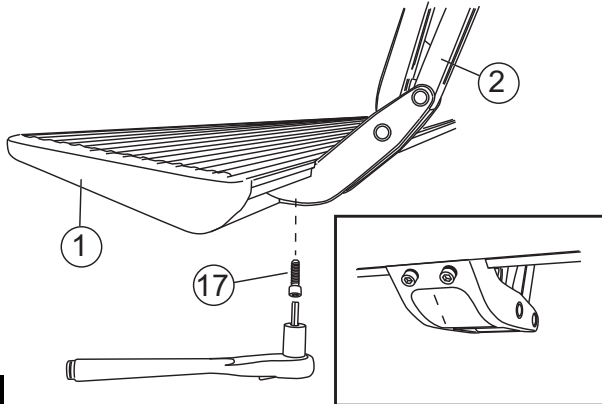


5

Repeat linkage installation on passenger side.

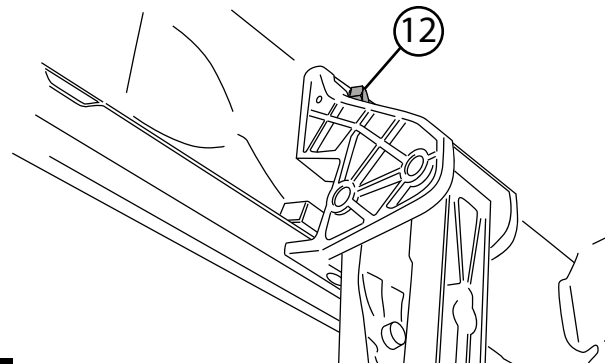
AMP RESEARCH POWER STEP – CHEVROLET / GMC

Slide mounting T-nut into position, aligning the end of the board with the rear edge of the back door. Mount board and tighten fasteners to 10 ft-lbs. Insure linkages are squared to body prior to torquing fasteners.



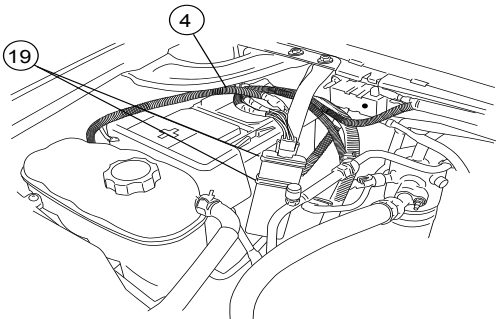
7

Tighten fastener (12) from from step 4 to 16 ft-lbs. (22 N m).



8

Using the two 11" cable ties, mount controller to support arm next to battery. (Behind support arm on diesel engine) **On Hybrid models: Mount controller on drivers side of engine compartment.**

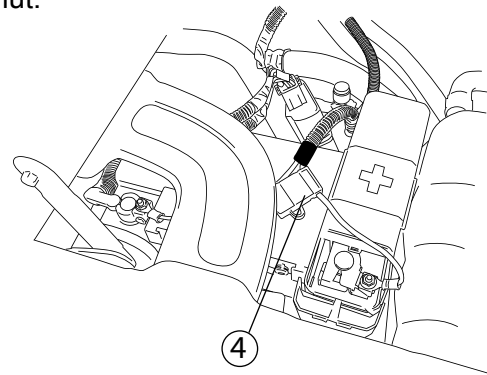


Plug in wire harness.
(Ensure that locking tabs engage.)

9

Remove power fuse. Attach power lead (RED wire) to positive pole on the battery.

CAUTION: Do not ground wrench when engaged with nut.

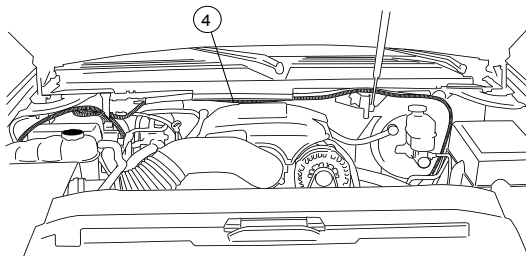


Attach ground lead to negative battery pole.

10

GAS ENGINE WIRE ROUTING

Route long end of wire harness above engine and down through drivers side wheel well. Zip tie harness to cowlings clips on fire wall. Route short end down passengers side. **On Hybrid models: Long end of wires will be routed down through passenger side wheel well and short end down drivers side.**

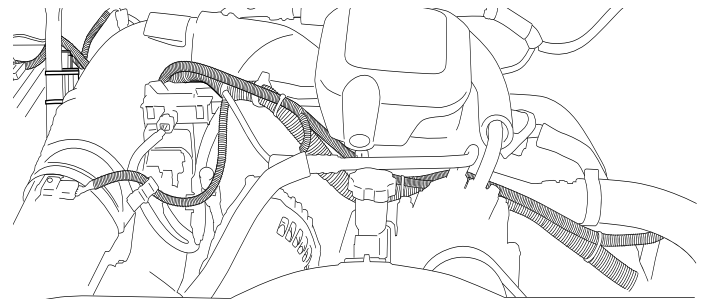


Secure with zip ties.

11

DIESEL ENGINE WIRE ROUTING

Route long end of wire harness under intake and along factory engine harness to driver side wheel well. Route short end down passengers side.

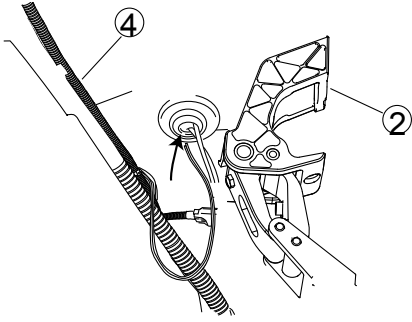


Secure with zip ties.

12

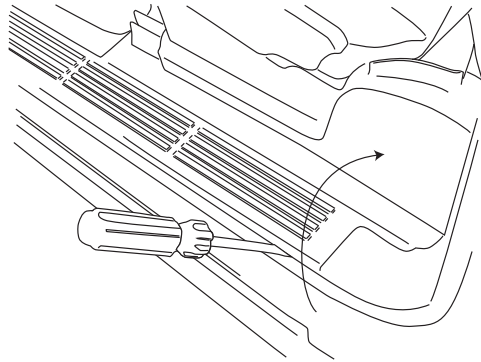
**IMPORTANT: Steps 16 and 17 are for Crew Cab trucks only.
(Light Blue and Green wires are only used with Crew Cab trucks.)**

Route wire harness along the frame and back towards rear linkage. Secure with zip ties. Poke hole through rubber grommet near front door on underside of floor panel with small phillips screwdriver. Push both wires through hole. (See Step 14 for passenger side notes.)



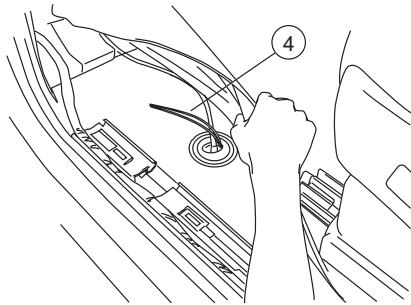
13

Pop off the threshold cover with screwdriver and remove the kick panel.



14

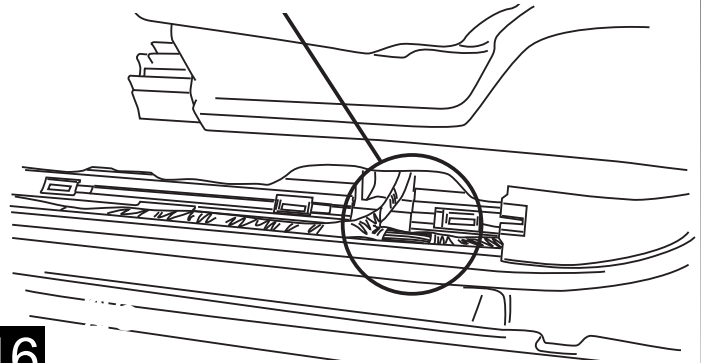
Pull up the carpet and thread both wires through the floor panel (same steps on passenger side EXCEPT drill 9/32" hole in metal and add rubber grommet).



Seal holes with silicone glue and cover with tape so carpet does not stick to glue.

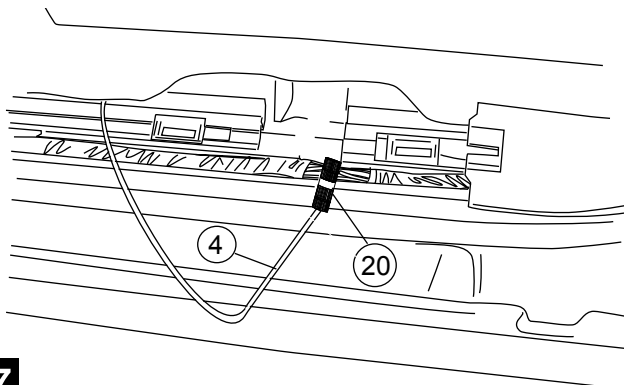
15

Crew Cab Only - Carefully remove wire wrap and find LIGHT BLUE wire with BLACK STRIPE. On passenger side find GREEN wire with BLACK STRIPE. The wire is located rear of the "T" junction where wires cross under the front seat.



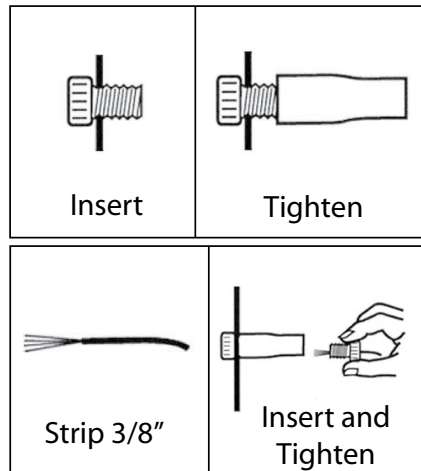
16

Crew Cab Only. Using supplied Posi-Tap™ connector, splice shorter trigger wire into wire found in Step 16. Otherwise tape off short wire.



17

Posi-Tap™ instructions

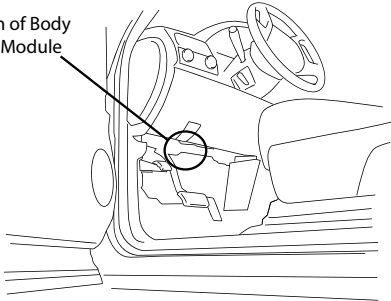


18

AMP RESEARCH POWER STEP – CHEVROLET / GMC

Locate and inspect the Body Control Module above the brake pedal under the dashboard. The BCM is the only module with a pink connector. Check to see if the front door ajar signal wires are present in the pink connector: Grey/Black, Tan/White. If you do not see these wires the front door panels must be removed.

Location of Body Control Module

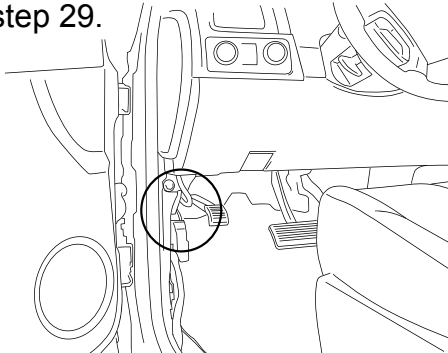


19

Vehicles that do not have the front door ajar signal wires in the pink connector of the BCM must have the front door panels removed in order to access the front door ajar signal wires. **For these and all Hybrid models Go to step 22.**

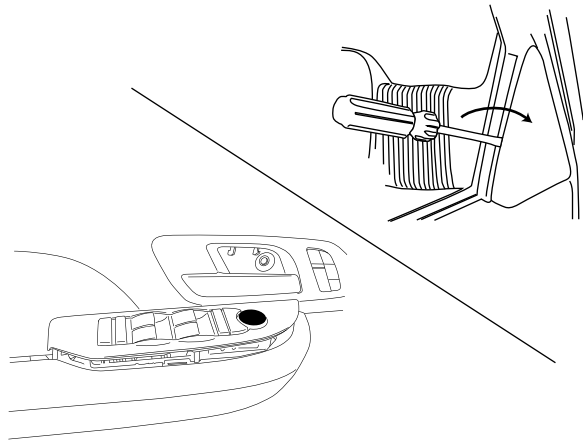
20

Remove driver side kick panel and open the loom wrapped in grey tape to access the Grey / Black stripe wire. In the passenger side kick panel the loom wrapped in green tape will have a Tan / White stripe wire. Connect Power Step Grey / Black and Tan / White wires to like colored factory wires. Go to step 29.



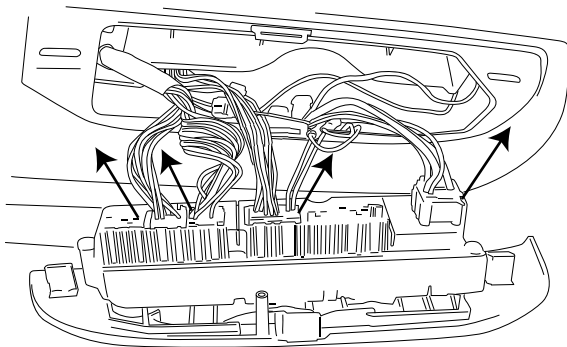
21

Remove plastic trim on door near mirror attachment. Then carefully pry up window/ door lock switch plate.



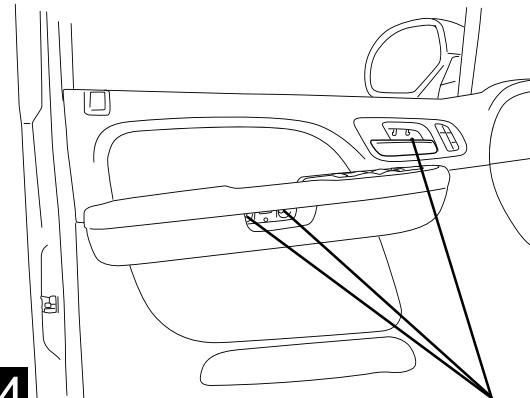
22

Remove all plugs from switchplate



23

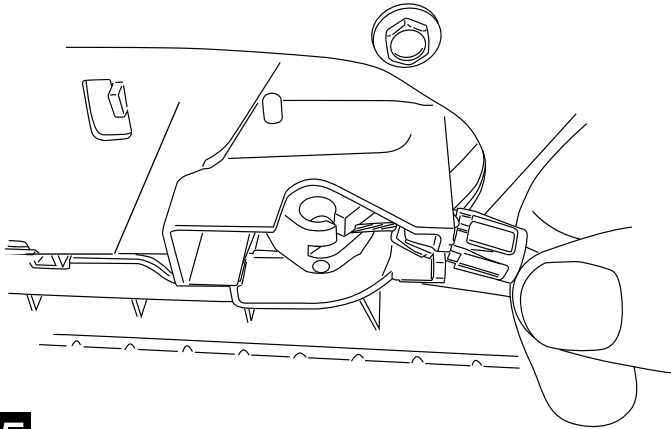
To remove door panel, first pry back tab on door lock to remove then pry off plastic covers by handle and door latch. Remove the 3 door bolts and then remove door panel by prying loose all panel fasteners.



24

AMP RESEARCH POWER STEP – CHEVROLET / GMC

Remove door latch cable from door panel.



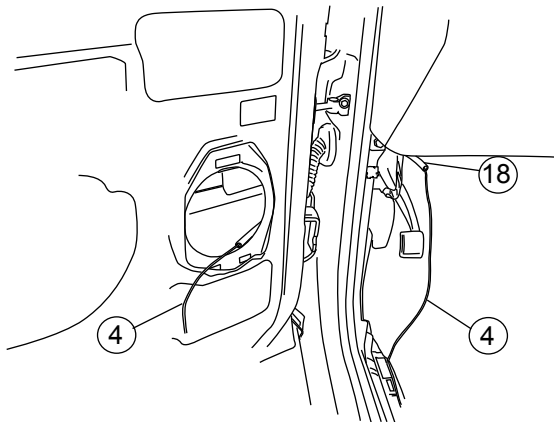
25

Pull back the door weather guard, unbolt speaker and unplug. Thread plastic tube through accordion.



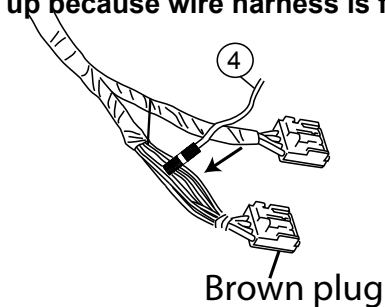
26

Feed longer wire of Step 15 through tube into door and pull out plastic tube on door side. Route wire along harness to switchplate.



27

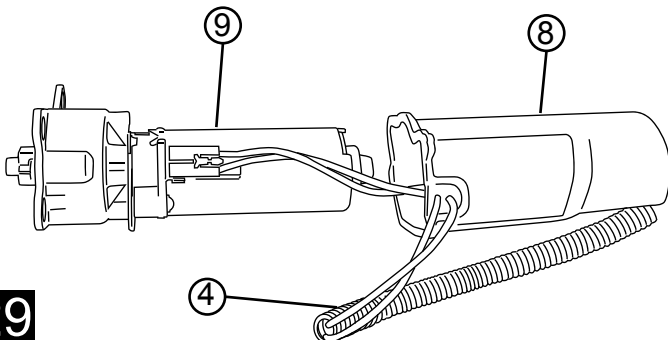
Locate the brown plug in doors and using supplied Posi-Tap™ connector, splice into trigger wire.
 Drivers side: Grey / Black wire
 Passengers side: Tan / White wire
Note: On Hybrid models trigger wire colors will not match up because wire harness is flipped.



28

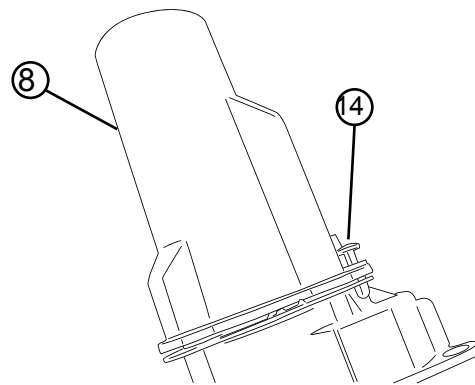
Reassemble door and replace plugs. Plugs must be replaced for Power Step to operate.

Insert plug from wire harness onto motor. Slide rubber grommet on wire harness into slot of motor cover. Insert motor cover onto motor. Slide motor assembly onto drive shaft and mounting bosses of driving linkage assembly. Use electrical tape to cover any exposed wire from the motor.



29

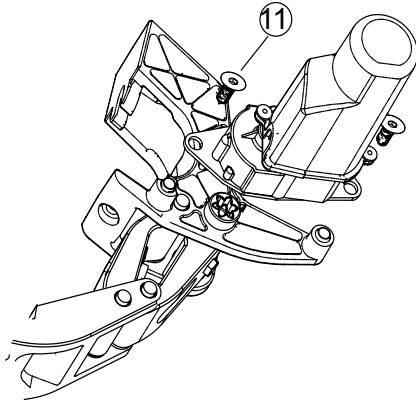
Insert plastic push pin rivets in mounting holes of motor cover. Use pliers to ease installation.



30

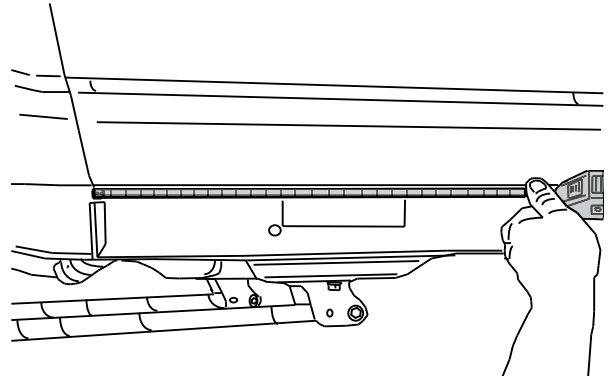
AMP RESEARCH POWER STEP – CHEVROLET / GMC

Slide motor assembly onto drive shaft and mounting bosses of driving linkage assembly. Use two M6 x 16 bolts to bolt motor down. Use electrical tape to cover any exposed wire from the motor.



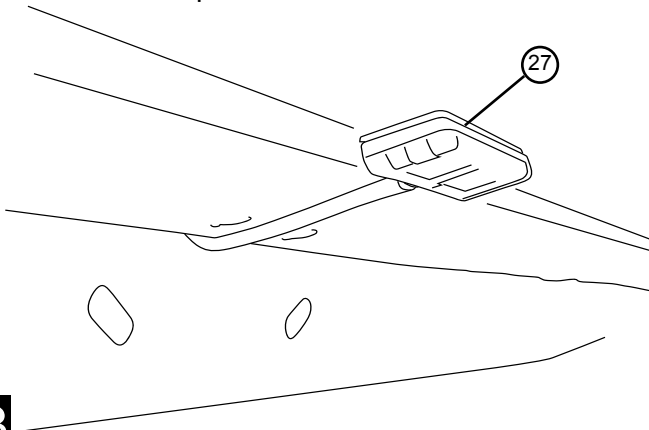
31

On each side of the vehicle measure from the front edge of door line on the pinch weld to the specified lengths below. Measure at 22" for front LED Light and 65" for rear LED Light.



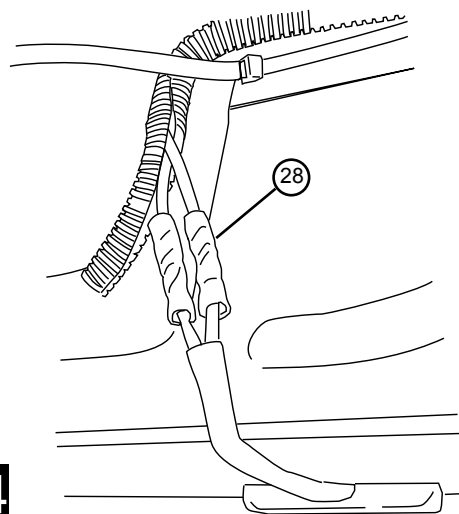
32

Affix lamp to rocker panel surface. Make sure the lamp is affixed to a clean, flat surface. There is a step down midway across the surface. Affix lamp just outside of step down.



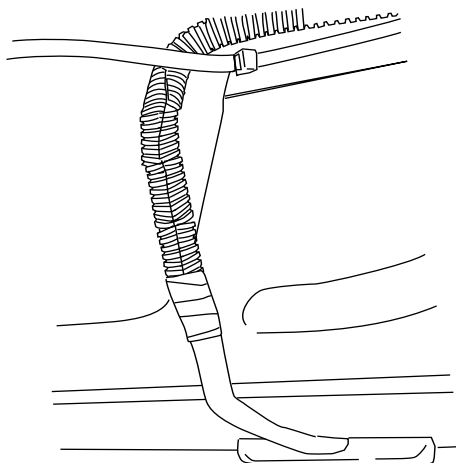
33

Using supplied butt connectors, connect the lamp wires. Red to Red, Black to Black.



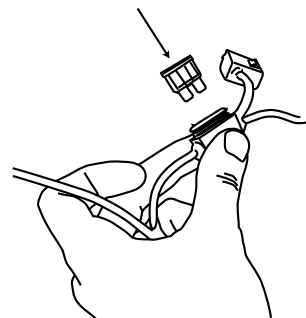
34

Close and wrap with conduit and electrical tape. Secure all loose wires with cable ties, with lamp wires pulled upward to avoid any wire snagging.



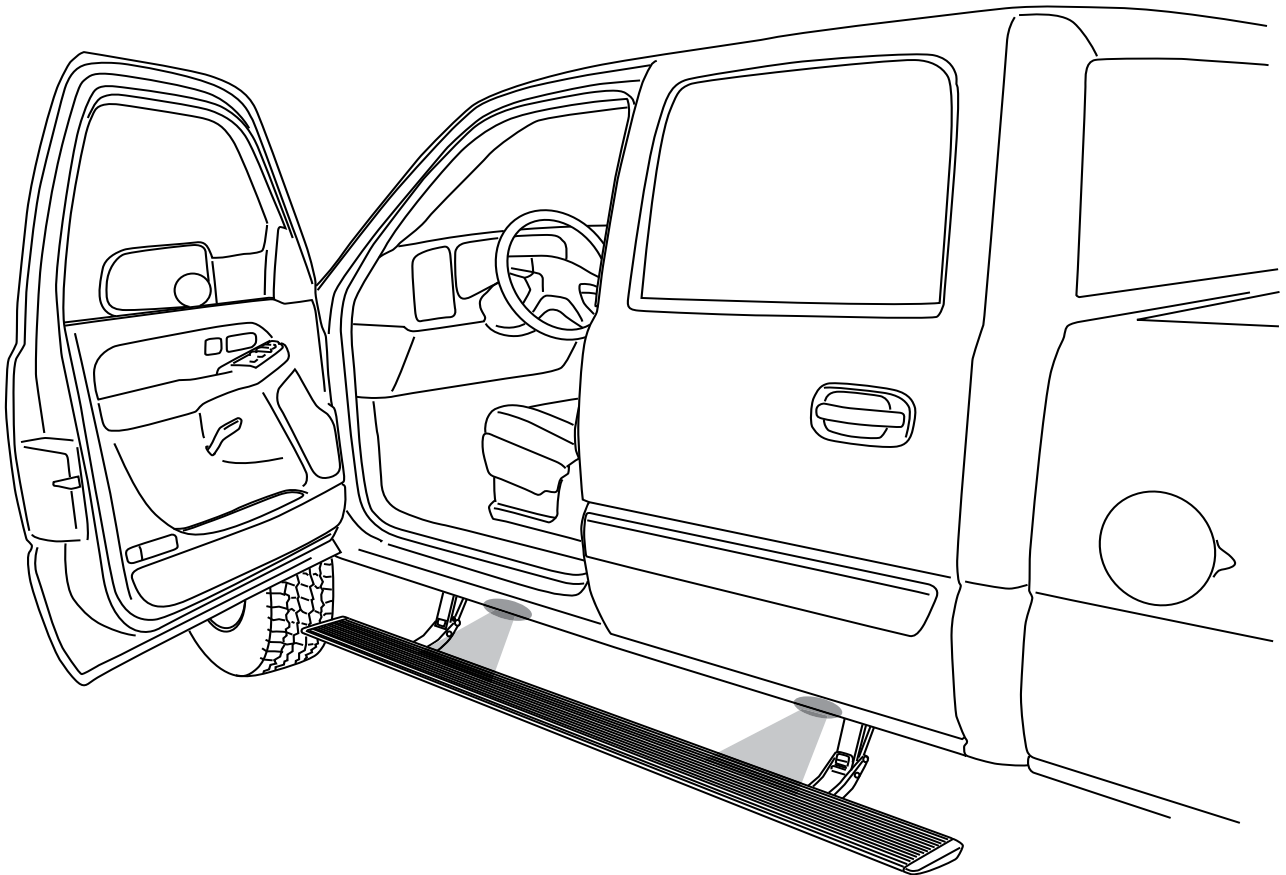
35

Reinstall fuse.



36

Check that all doors activate the Power Step and the LED Lights work when doors open and close. Reinstall any remaining trim panels.



Correct operation of Lights: All four lamps will illuminate upon opening any door of vehicle. Lamps will stay on until restowing of both Power Steps or until 5 minutes has expired with the doors open. When the lights timeout after 5 minutes, they can be reilluminated by closing and opening any door of vehicle.

Congratulations on the purchase of your AMP Research Power Step



Here's what you should know...

OPERATION

The AMP Research Power Step automatically deploys when at least one door opens and automatically retracts under your vehicle when both front and rear doors close. If resistance or blockage is encountered while the Power Step is in motion, the drive system is designed to automatically stop. To reset, simply open or close the vehicle door and the Power Step will resume normal operation.

MAINTENANCE TIPS

The stepping surface and drive mechanism can be wash with mild soap and water using a soft brush or sponge to dislodge any mud, dirt or accumulated road grime. Rinse with fresh water.

To prevent slipping, avoid applying waxes, lubricants or protectants like Armor All® to the step surface.

When washing your vehicle, the Power Steps can be set to remain deployed with the doors closed for easy cleaning. Do this...

- 1** With the Power Step deployed, press and hold the board down with your foot.
- 2** Close the door while continuing to press down the board. (This will not harm motor.)
- 3** To reset the Power Step, simply open and close the door. (Repeat for both sides of vehicle.)

CAUTION! BE SURE TO KEEP HANDS AWAY WHEN THE POWER STEP IS IN MOTION.

amp-research.com

LIMITED WARRANTY

AMP RESEARCH warrants product to be free from defects in material and workmanship, for terms specified below, provided there has been normal use and proper maintenance. All remedies under this warranty are limited to the repair or replacement of any item found by the factory to be defective within the time period specified.

If you have a warranty claim, first you must call our factory at the number below for instructions. You must retain proof of purchase and submit a copy with any items returned for warranty work. Upon completion of warranty work, if any, we will return the repaired or replaced item or items to you freight prepaid. Damage to our products caused by accidents, fire, vandalism, negligence, misinstallation, misuse, Acts of God, or by defective parts not manufactured by us, is not covered under this warranty.

THE WARRANTY TIME PERIOD IS AS FOLLOWS: 5-YEARS FROM DATE OF PURCHASE.

ANY IMPLIED WARRANTIES OF MERCHANTABILITY AND/OR FITNESS FOR A PARTICULAR PURPOSE CREATED HEREBY ARE LIMITED IN DURATION TO THE SAME DURATION AND SCOPE AS THE EXPRESS WRITTEN WARRANTY. OUR COMPANY SHALL NOT BE LIABLE FOR ANY INCIDENTAL OR CONSEQUENTIAL DAMAGE.

Some states do not allow limitations on how long an implied warranty lasts, or the exclusion or limitation of incidental or consequential damages, so the above limitations or exclusions may not apply to you. This warranty gives you specific legal rights, and you may also have other rights that vary from state to state.

WARNING

Be sure to read and precisely follow the provided instructions when installing this product. Failure to do so could place the vehicle occupants in a potentially dangerous situation. After installing or reinstalling, re-check to insure that the product is