

AMP RESEARCH Power Step

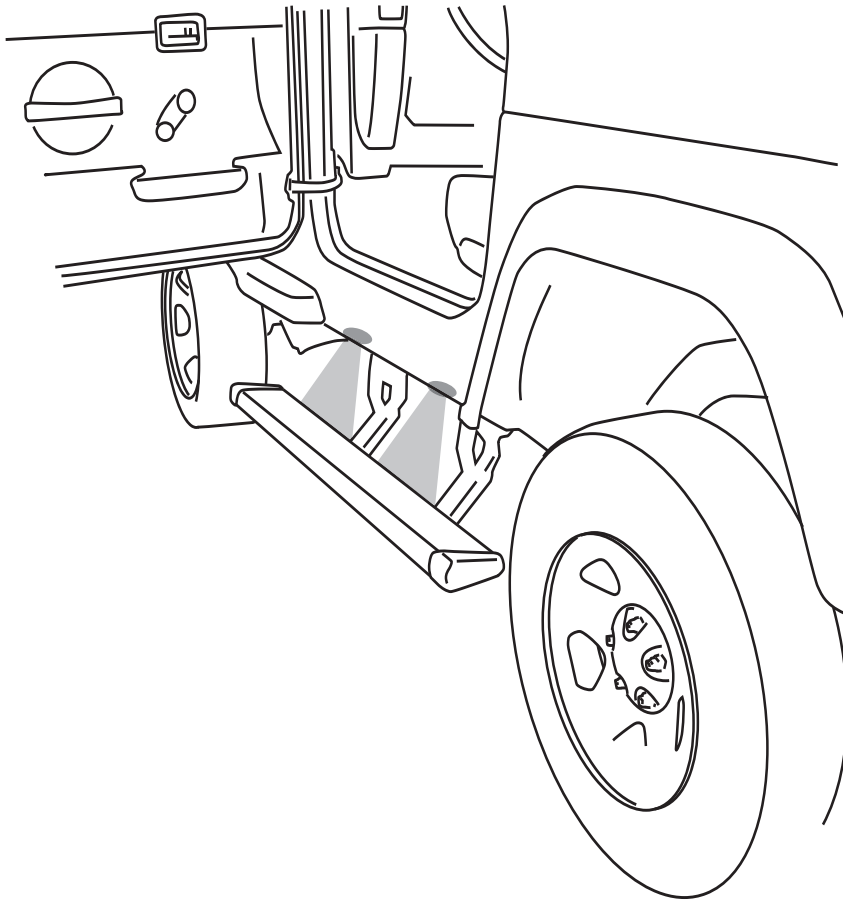
MADE IN USA

APPLICATION

AMP Part #

Jeep Wrangler Unlimited (JK) 2007–up
(4-Door Only)

75122-01A



INSTALLATION TIME



SKILL LEVEL



4= Experienced

TOOLS REQUIRED

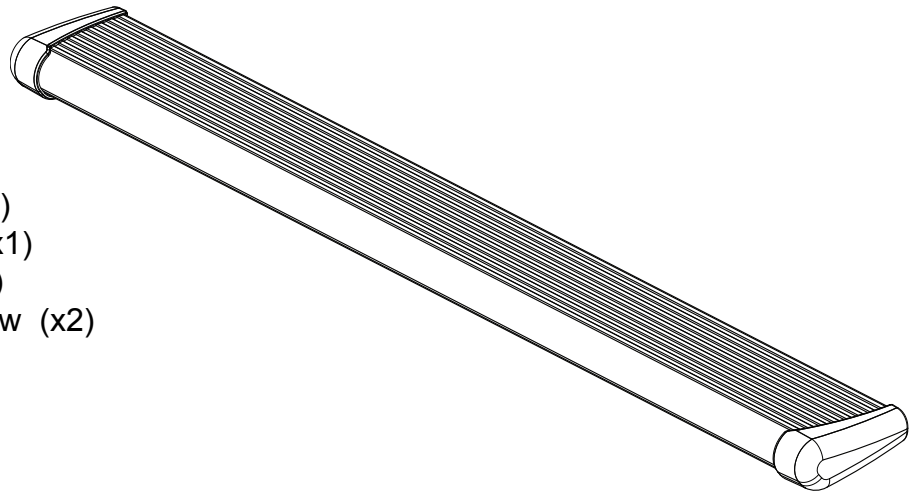
- 13 mm socket
- 13 mm end wrench
- Ratchet wrench and extension
- Wire crimpers
- Wire stripper/cutter
- 3/16" hex key wrench (allen wrench)
- 4 mm hex key wrench (allen wrench)
- 5 mm hex key wrench (allen wrench)

AMP RESEARCH TECH SUPPORT 1-888-983-2204 (Press 2) Monday - Friday, 6:00 AM - 5:00 PM PST

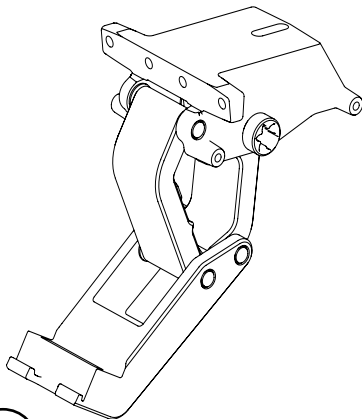
Designed and manufactured by AMP Research®. Patent Number 6,830,257; 6,641,158; 6,834,875; 6,938,909; 6,942,233; 7,007,961; 7,055,839; 7,163,221; 7,367,574; 7,380,807; 7,398,985; 7,413,204; 7,487,986; 7,566,064; 7,584,975. Other US and Worldwide patents pending. Made in USA
© 2010 AMP Research. 5-year limited warranty. Professional installation is recommended.

PARTS LIST AND HARDWARE IDENTIFICATION

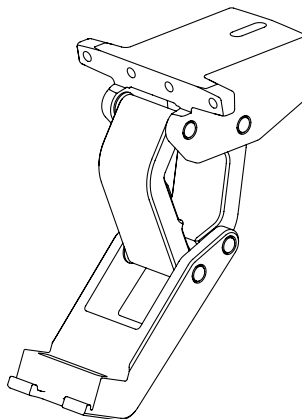
- 19-03199-11 End cap left (x1)
- 19-03199-12 End cap right (x1)
- 19-02663-90 T-nut insert (x2)
- 19-03236-90 Socket cap screw (x2)
- 19-03237-90 Nut plate (x2)



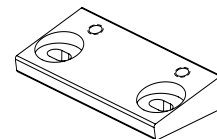
- ① x2 20-03318-70
- Step assembly



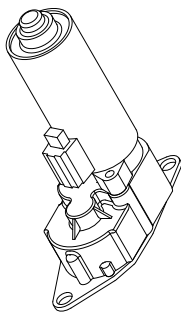
- ② x2
- 10-03606-10 Driver
10-03606-11 Passenger
Motor Linkage



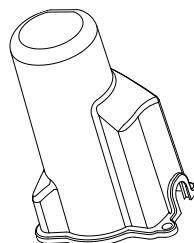
- ③ x2
- 10-03610-10
Idler Linkage



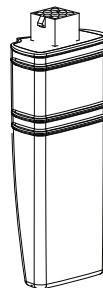
- ④ x2
- 15-03600-90
Adaptor



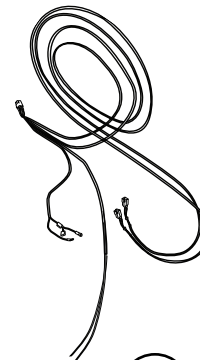
- ⑤ x2
- 19-03289-91
Motor



- ⑥ x2
- 19-03238-90
Motor Cover



- ⑦
- 19-03297-93
Controller

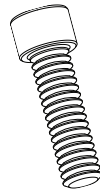


- ⑧
- 19-03717-90L
Wire Harness

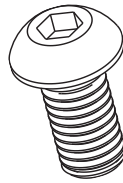
PARTS LIST AND
HARDWARE
IDENTIFICATION



9 x2
19-03467-90
U nut



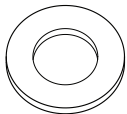
10 x8
19-02802-90
Socket Cap



11 x8
16-02634-90
Button Head Bolt



12 x6
19-02740-90
Hex Flange Bolt



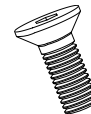
13 x8
16-03014-90
Washer Black



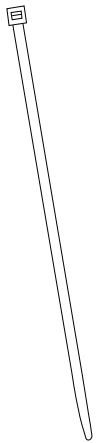
14 x4
19-03354-90
Posi-Taps™ (Red/Grey)



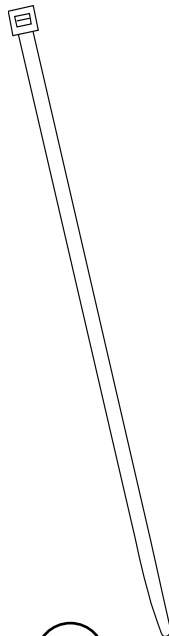
15 x6
19-02721-90
Cinch Fastener



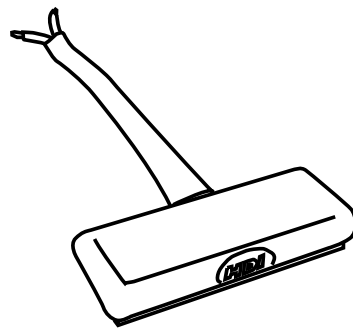
16 x4
19-03352 -90
Flat Head
Cap Screw



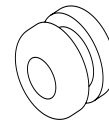
17 x20
19-02805-90
Cable Tie 6"



18 x2
19-03339-90
Cable Tie 11"



19 x4
80-03302-90
LED Lamp

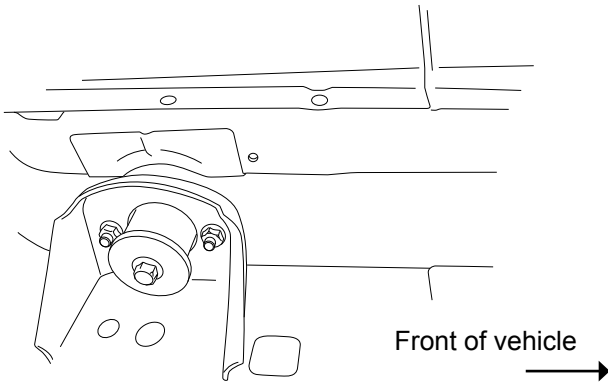


20 x4
19-02640-90
Grommet



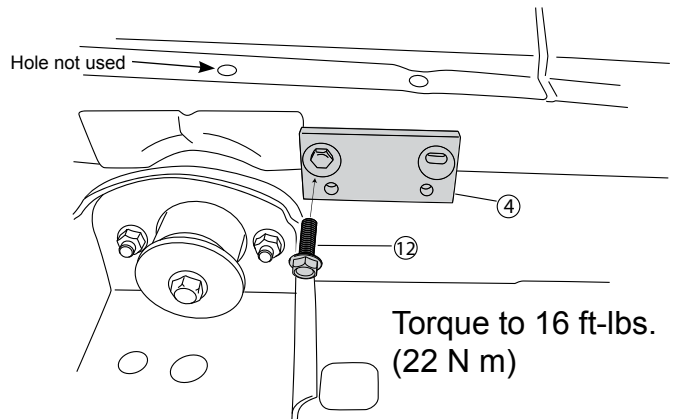
21 x8
19-02989-90
Butt Connector

Locate rear linkage installation position in front of rear body mount



Passenger side shown above

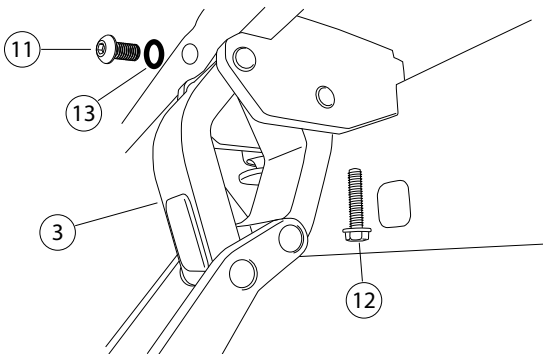
Install adaptor as shown



Torque to 16 ft-lbs. (22 N m)

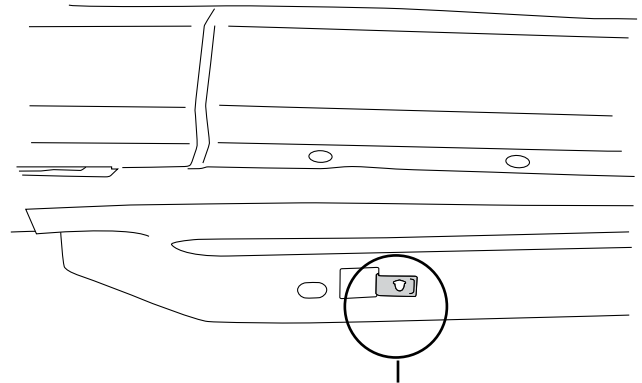
2

Install Rear idler linkage.



Torque fasteners to 16 ft-lbs. (22 N m)

3

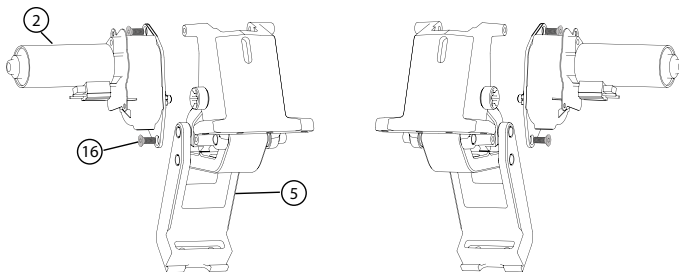


Install U nut under vehicle, middle of front door for front motor linkage as shown. (Some vehicles with factory steps may already include this u-nut)

Front of vehicle passenger side →

Slide motor assembly onto drive shaft and mounting bosses of driving linkage assembly. Use flathead socket head cap screws (16) and tighten to 8 ft-lbs / 11Nm.

Motor faces to front of vehicle

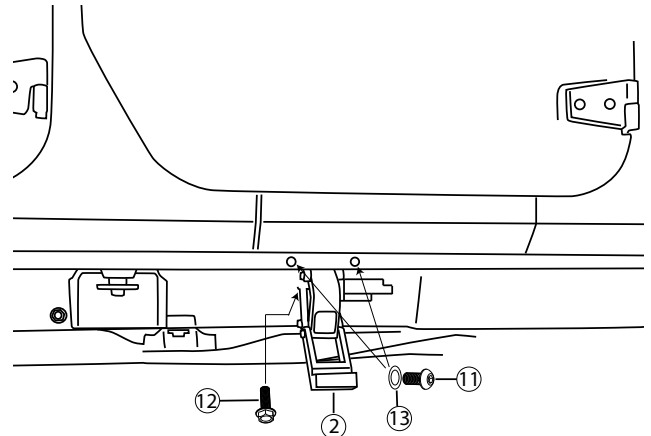


Driver side Motor Linkage

Passenger side Motor Linkage

5

Install motor linkage with motor

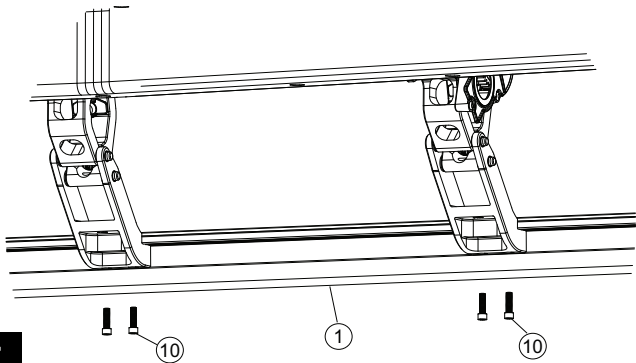


Torque fasteners to 16 ft-lbs. (22 N m)

Repeat linkage installation on driver side

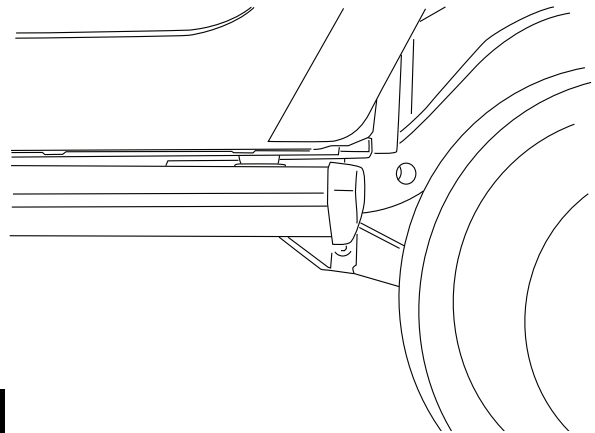
6

Mount step extrusion to linkage assemblies. Line up t-nuts in step assembly with slots in lower mounts of linkage assemblies. Fasten loosely to allow for adjustments.



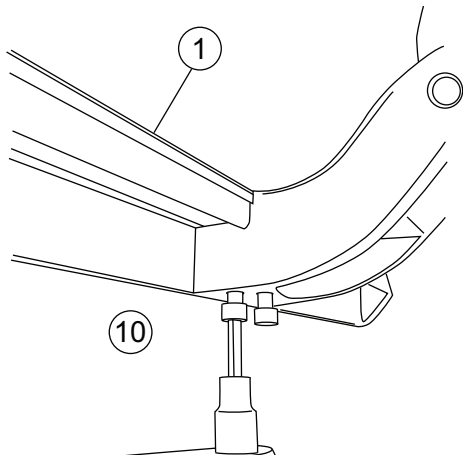
7

Line up rear of step extrusion with rear fender well.



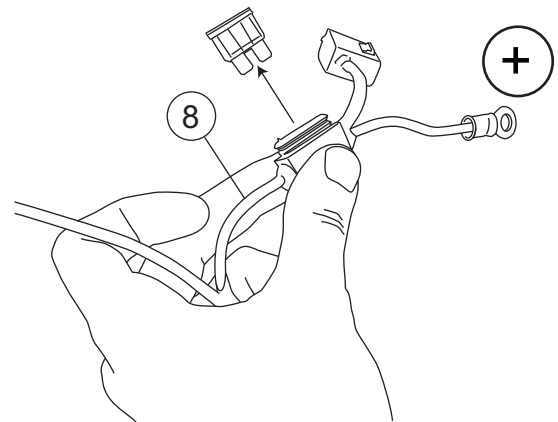
8

Tighten 4 socket cap screws with 3/16" allen wrenr Torque to 10 ft-lbs. (13.5 N-m)



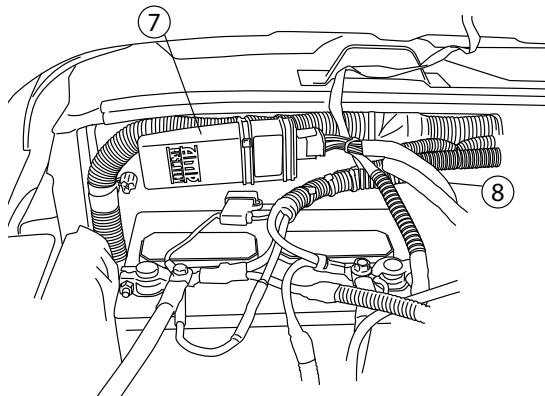
9

Remove fuse from Power Step wire harness.



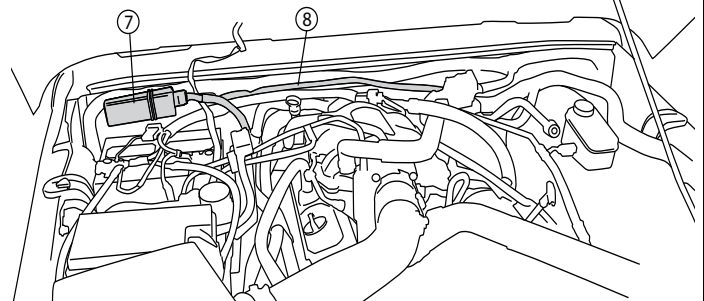
10

Install controller on passenger side at firewall. Secure with 11" cable ties. Connect Red wire to positive battery terminal and Black wire to negative battery terminal.



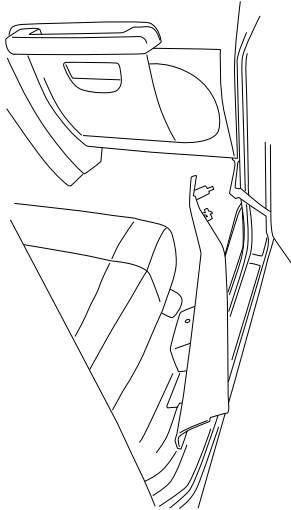
11

Route longest leg of wire harness across fire wall to driver side and under vehicle outside of frame rail. Route shortest leg of wire harness down fire wall and outside of frame rail on passenger side.

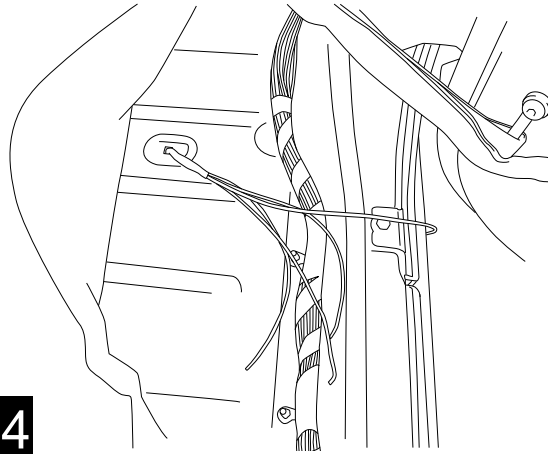


12

Remove passenger side front door sill.



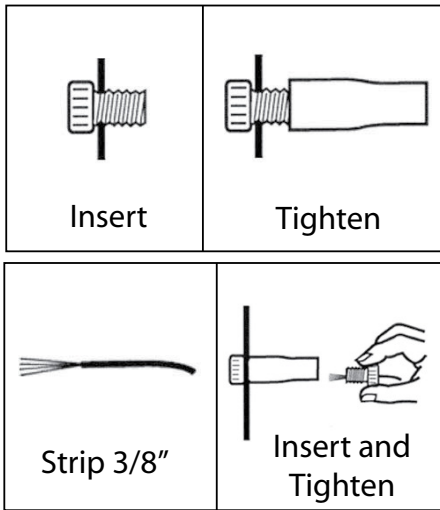
Lift carpet. Slit rubber grommet and pass trigger wires through grommet in floor into passenger compartment.



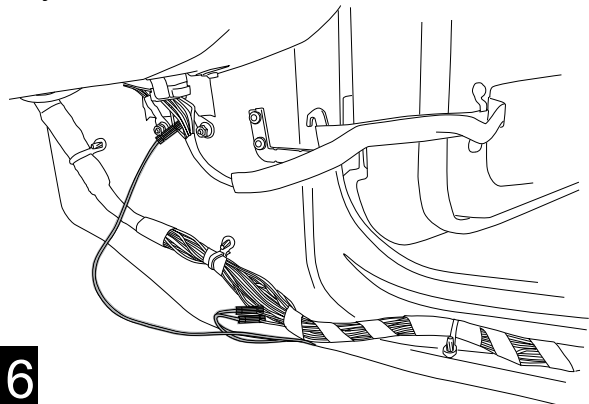
13

14

Posi-Tap™ instructions



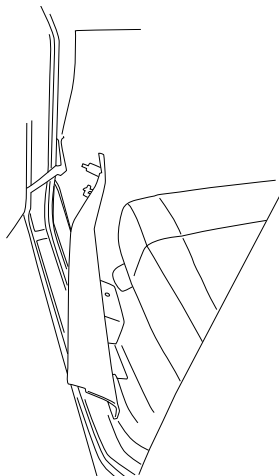
Use Posi-Tap connectors to connect Power Step trigger wires to like colored wires in the factory system as shown: Violet/White wire in loom coming from front door, Violet/Yellow and Violet/Grey in main loom in door sill.



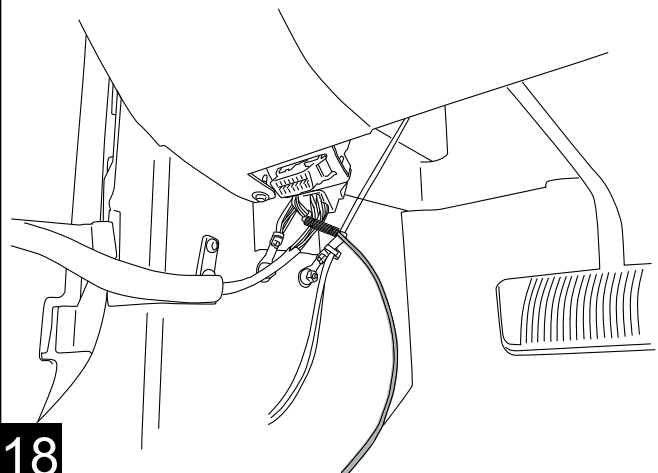
15

16

Remove driver side door sill and pull up carpet.



Route Violet wire under carpet to driver side door sill and connect to violet wire coming from door as shown.

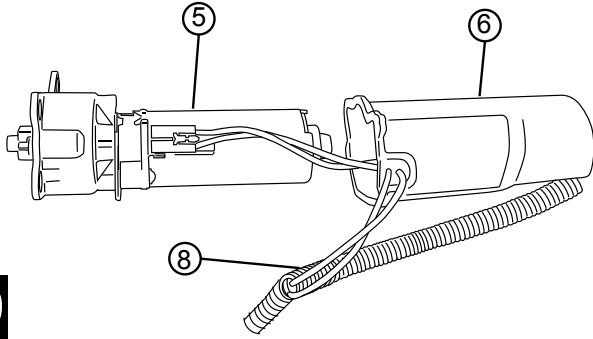


17

18

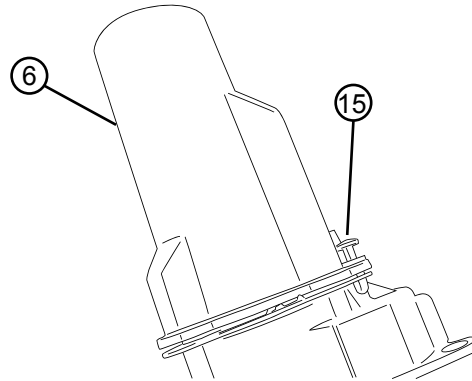
AMP RESEARCH POWER STEP – JEEP WRANGLER (JK)

Insert plug from wire harness onto motor. Slide rubber grommet on wire harness into slot of motor cover. Insert motor cover onto motor. Slide motor assembly onto drive shaft and mounting bosses of driving linkage assembly. Use electrical tape to cover any exposed wire from the motor.



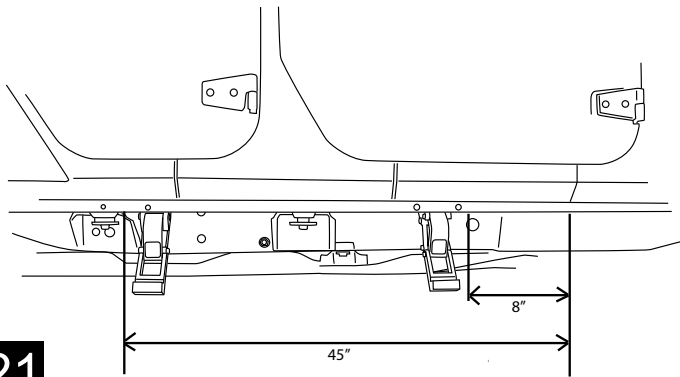
19

Insert plastic push pin rivets in mounting holes of motor cover. Use pliers to ease installation.



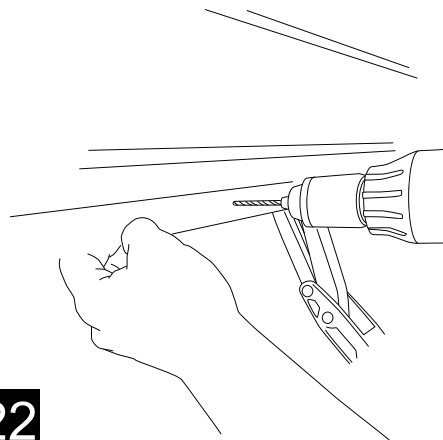
20

On each side of the vehicle measure from the front edge of the door line on the pinch weld to the specified lengths below. Measure at 8" for the front LED lamp and 45" for the rear LED Lamp.



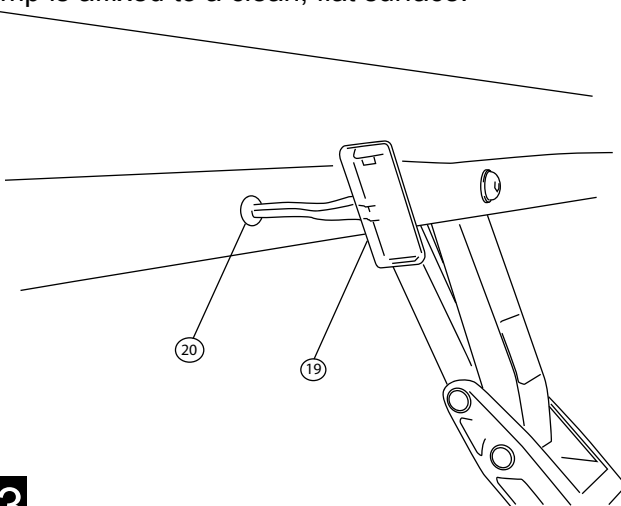
21

Drill a 9/32" hole through pinch weld at locations marked out in step 21.



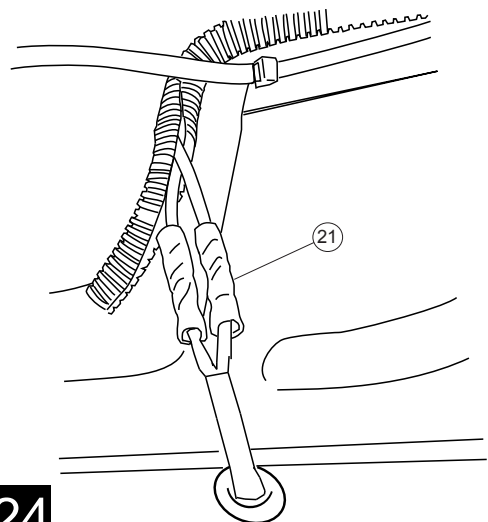
22

Insert grommet and lamp wires through drilled hole. Affix lamp to rocker panel surface. Make sure the lamp is affixed to a clean, flat surface.



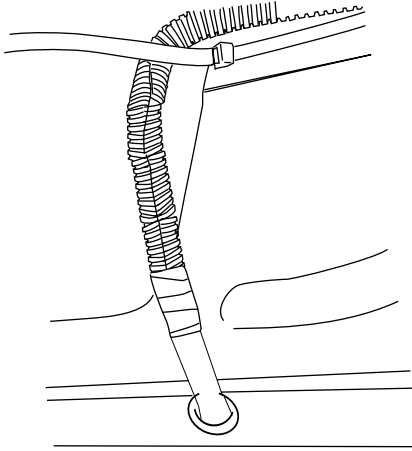
23

Using supplied butt connectors, connect the lamp wires. Red to Red, Black to Black.

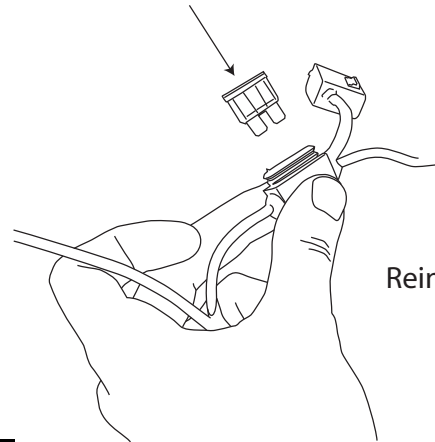


24

Close and wrap with conduit and electrical tape. Secure all loose wires with cable ties, with lamp wires pulled upward to avoid any wire snagging.



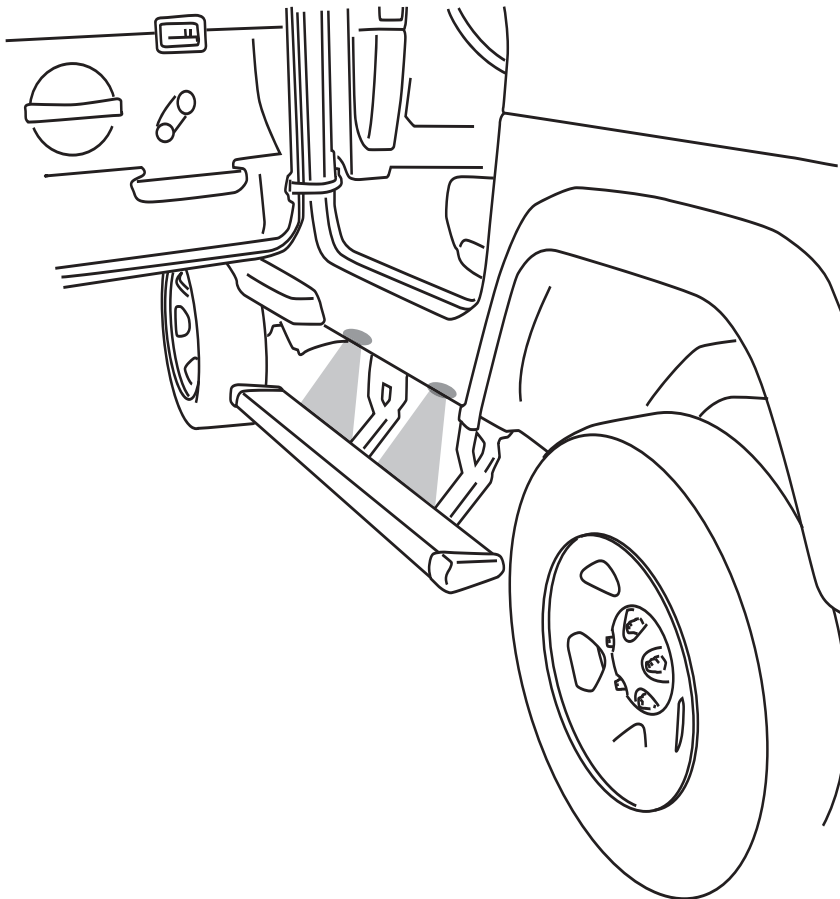
25



Reinstall fuse.

26

Check that all doors activate the Power Step and the LED Lights work when doors open and close. Reinstall any remaining trim panels.



Correct operation of Lights: All four lamps will illuminate upon opening any door of vehicle. Lamps will stay on until restowing of both Power Steps or until 5 minutes has expired with the doors open. When the lights timeout after 5 minutes, they can be re-illuminated by closing and opening of any door of vehicle.

27

Congratulations on the purchase of your AMP Research Power Step



Here's what you should know...

OPERATION

The AMP Research Power Step automatically deploys when at least one door opens and automatically retracts under your vehicle when both front and rear doors close. If resistance or blockage is encountered while the Power Step is in motion, the drive system is designed to automatically stop. To reset, simply open or close the vehicle door and the Power Step will resume normal operation.

MAINTENANCE TIPS

The stepping surface and drive mechanism can be wash with mild soap and water using a soft brush or sponge to dislodge any mud, dirt or accumulated road grime. Rinse with fresh water.

To prevent slipping, avoid applying waxes, lubricants or protectants like Armor All® to the step surface.

When washing your vehicle, the Power Steps can be set to remain deployed with the doors closed for easy cleaning. Do this...

- 1** With the Power Step deployed, press and hold the board down with your foot.
- 2** Close the door while continuing to press down the board. (This will not harm motor.)
- 3** To reset the Power Step, simply open and close the door. (Repeat for both sides of vehicle.)

CAUTION! BE SURE TO KEEP HANDS AWAY WHEN THE POWER STEP IS IN MOTION.

amp-research.com

LIMITED WARRANTY

AMP RESEARCH warrants product to be free from defects in material and workmanship, for terms specified below, provided there has been normal use and proper maintenance. All remedies under this warranty are limited to the repair or replacement of any item found by the factory to be defective within the time period specified.

If you have a warranty claim, first you must call our factory at the number below for instructions. You must retain proof of purchase and submit a copy with any items returned for warranty work. Upon completion of warranty work, if any, we will return the repaired or replaced item or items to you freight prepaid. Damage to our products caused by accidents, fire, vandalism, negligence, misinstallation, misuse, Acts of God, or by defective parts not manufactured by us, is not covered under this warranty.

THE WARRANTY TIME PERIOD IS AS FOLLOWS: 5-YEARS FROM DATE OF PURCHASE.

ANY IMPLIED WARRANTIES OF MERCHANTABILITY AND/OR FITNESS FOR A PARTICULAR PURPOSE CREATED HEREBY ARE LIMITED IN DURATION TO THE SAME DURATION AND SCOPE AS THE EXPRESS WRITTEN WARRANTY. OUR COMPANY SHALL NOT BE LIABLE FOR ANY INCIDENTAL OR CONSEQUENTIAL DAMAGE.

Some states do not allow limitations on how long an implied warranty lasts, or the exclusion or limitation of incidental or consequential damages, so the above limitations or exclusions may not apply to you. This warranty gives you specific legal rights, and you may also have other rights that vary from state to state.

WARNING

Be sure to read and precisely follow the provided instructions when installing this product. Failure to do so could place the vehicle occupants in a potentially dangerous situation. After installing or reinstalling, re-check to insure that the product is