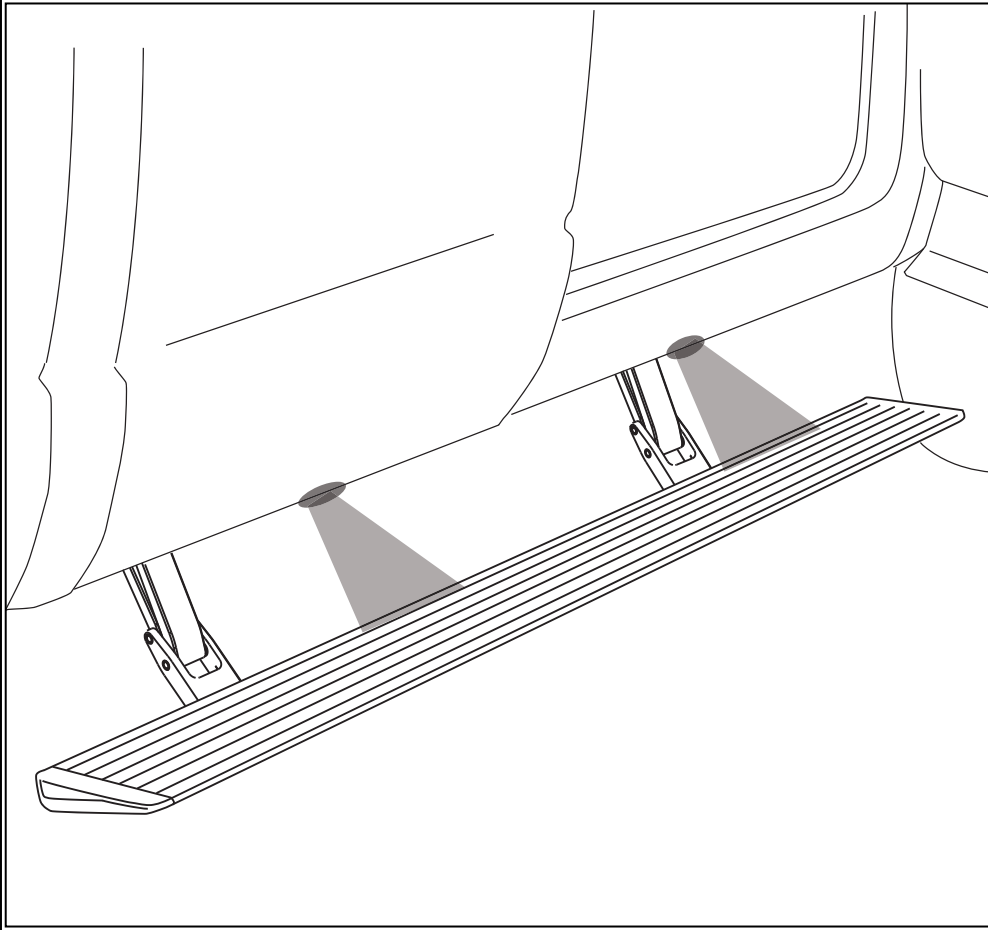


# INSTALLATION GUIDE

# AMP RESEARCH Power Step

MADE IN USA

APPLICATION	MODEL YR	AMP PART #
Dodge Ram Quad Cab 1500	2002 - 2008	75101-01A
Dodge Ram Quad Cab 2500/3500	2003 - 2009	75101-01A
Dodge Ram Mega Cab	2006 - 2009	75118-01A



**INSTALLATION TIME**

**3:00 hrs**

**SKILL LEVEL**

① ② ③ ④

4= Experienced

- TOOLS REQUIRED**
- Safety goggles
  - Measuring tape
  - Flat blade screwdriver
  - Phillips head screwdriver
  - Right angle drill
  - 1/8" drill bit
  - 13 mm socket
  - Ratchet wrench and extension
  - Soldering iron
  - Wire crimpers
  - Wire stripper / cutter
  - Corrosion inhibitor
  - 3/16" hex key wrench (allen wrench )
  - 1/8" hex key wrench (allen wrench)
  - 4 mm hex key wrench (allen wrench )
  - Pop rivet tool
  - Electrical tape

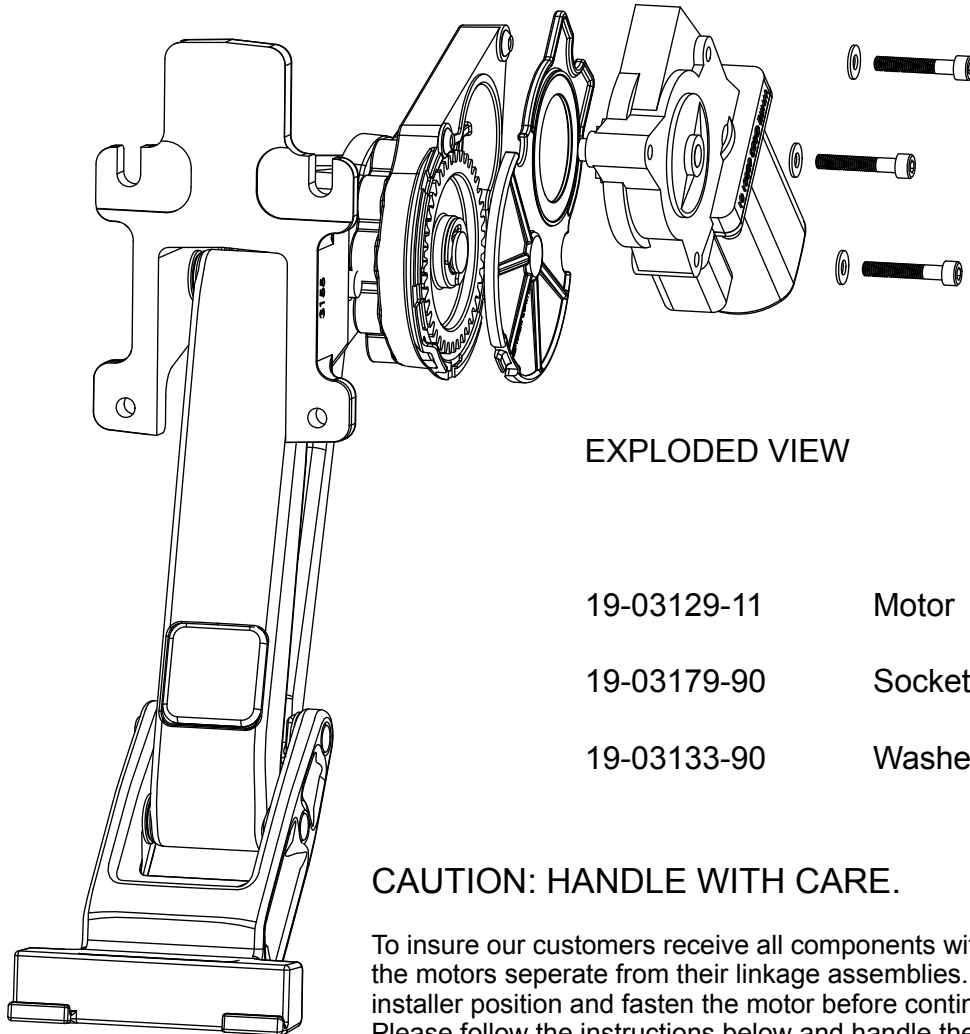
**AMP RESEARCH TECH SUPPORT 1-888-983-2204 (Press 2) Monday - Friday, 6:00 AM - 5:00 PM PST**

Designed and manufactured by AMP Research®. Patent Number 6,830,257; 6,641,158; 6,834,875; 6,938,909; 6,942,233; 7,007,961; 7,055,839; 7,163,221; 7,367,574; 7,380,807; 7,398,985; 7,413,204; 7,487,986. Other US and Worldwide patents pending. Made in USA © 2010 AMP Research 5-year limited warranty. Professional installation is recommended.

## INSTALLATION GUIDE

### Attaching motor to linkage assembly

The motors need to be installed before continuing with the rest of the Power Step install.



EXPLODED VIEW

19-03129-11	Motor
19-03179-90	Socket cap screw
19-03133-90	Washer

### CAUTION: HANDLE WITH CARE.

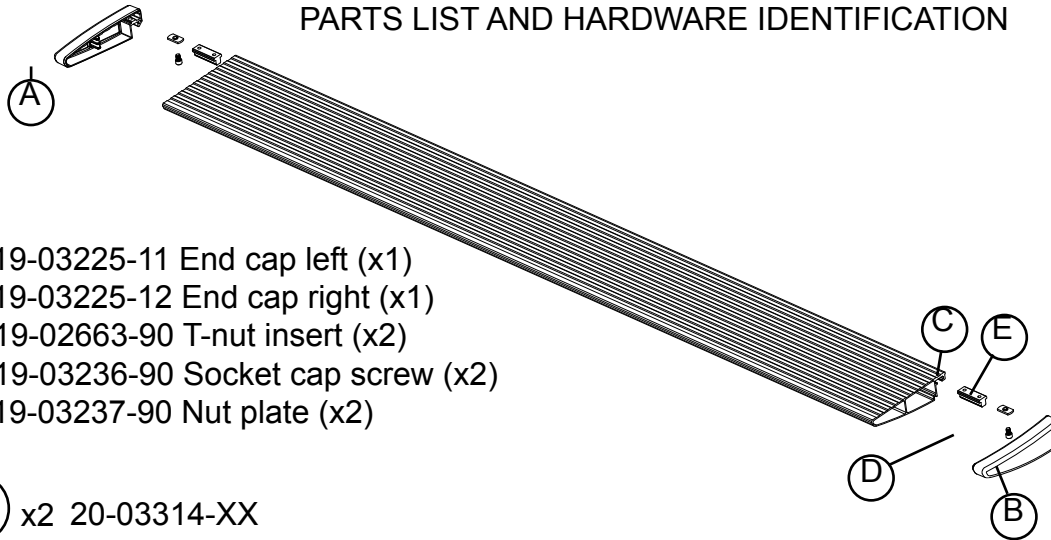
To insure our customers receive all components with full integrity, we pack the motors separate from their linkage assemblies. This requires that the installer position and fasten the motor before continuing with the install. Please follow the instructions below and handle the assembly carefully.

**CAUTION:** Dropping the assembly or any excessive impact MAY cause damage to the motor.

#### Instructions:

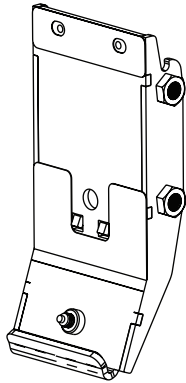
1. Position the gear cover in place as shown if not already in place.
2. Seat motor into position on the three mounting bosses. This may require an adjustment of the gear by moving the swing arms.
3. After seating into place, fasten the motor with the three motor mount screws with T30 Torx. Tighten screws to 80 in-lbs (9N-m). Do not over torque.

PARTS LIST AND HARDWARE IDENTIFICATION

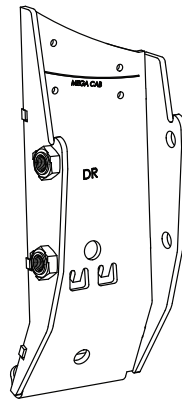


- (A) 19-03225-11 End cap left (x1)
- (B) 19-03225-12 End cap right (x1)
- (C) 19-02663-90 T-nut insert (x2)
- (D) 19-03236-90 Socket cap screw (x2)
- (E) 19-03237-90 Nut plate (x2)

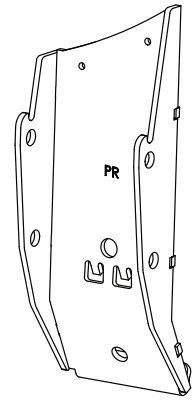
**1** x2 20-03314-XX  
Running board assembly



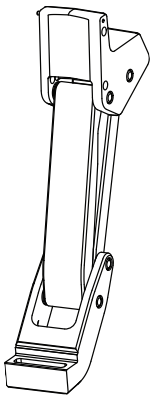
**2** x2  
10-02819-10  
Front Bracket



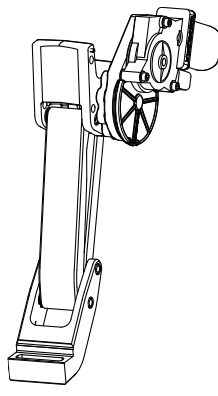
**3**  
DRIVER REAR BRACKET  
10-02820-10 (Quad Cab)  
10-02820-11 (Mega Cab)  
Driver Rear Bracket



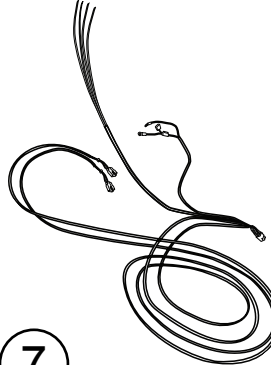
**4**  
PASSENGER REAR BRACKET  
10-02821-10  
Passenger Rear Bracket



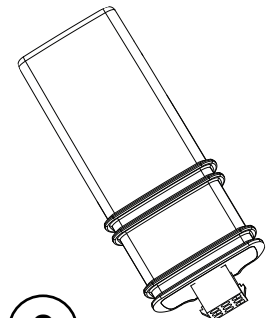
**5** x2  
10-02815-16  
Idler Linkage



**6** x2  
10-02814-16  
Motor Linkage

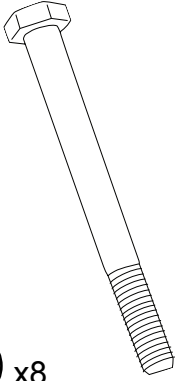


**7**  
19-02774-91  
Wire Harness

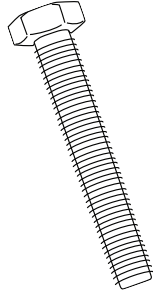


**8**  
19-03297-93  
Controller

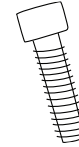
PARTS LIST AND  
HARDWARE  
IDENTIFICATION



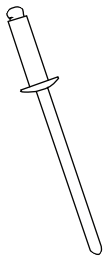
**9** x8  
19-02781-90  
Hex Bolt



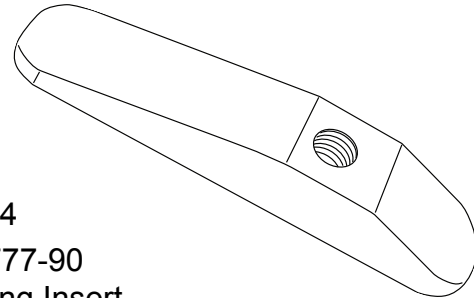
**10** x4  
19-02782-90  
Hex Bolt



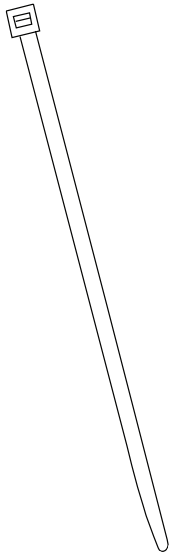
**11** x8  
19-02802-90  
Socket Cap Screw



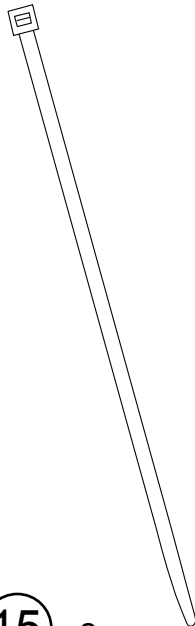
**12** x8  
19-02784-90  
Blind Rivet



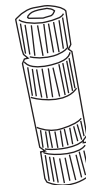
**13** x4  
19-02777-90  
Mounting Insert



**14** x25  
19-02805-90  
Cable tie (7")



**15** x2  
19-03339-90  
Cable tie (11")



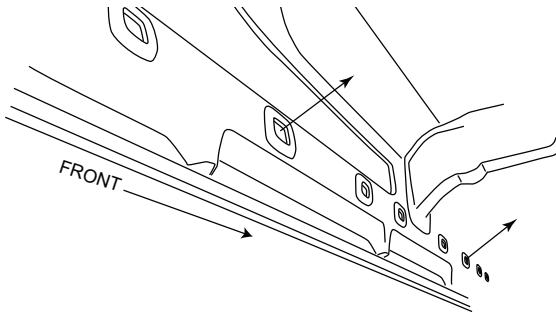
**16** x4  
19-03354-90  
Posi-Taps™ (Red/Grey)



**17**  
19-03354-90  
Damper Bracket Kit  
(Only needed for 1500 Quad Cab)

AMP RESEARCH POWER STEP – DODGE RAM

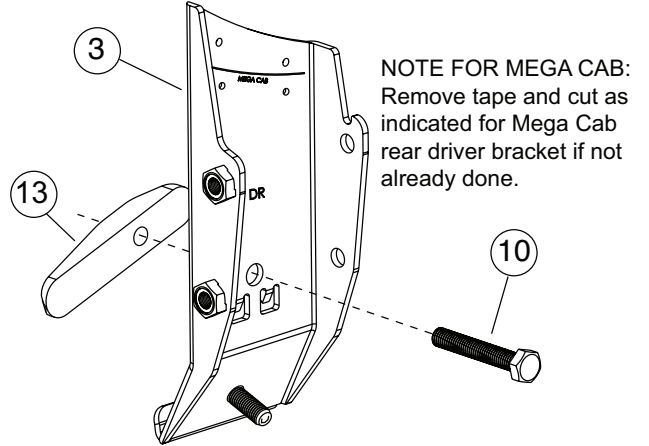
Note: Steps 1-8 shown on driver side.  
Repeat these steps on passenger side.



Counting large oval sill holes from the front, remove covering (plug or tape) from the below indicated mounting points.

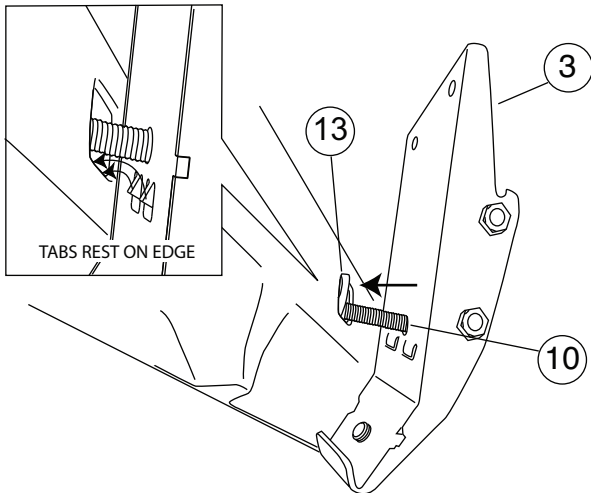
**1** QUAD CAB: 3rd and 7th from the front.  
MEGA CAB: 3rd and 8th from the front.

Prepare brackets for install



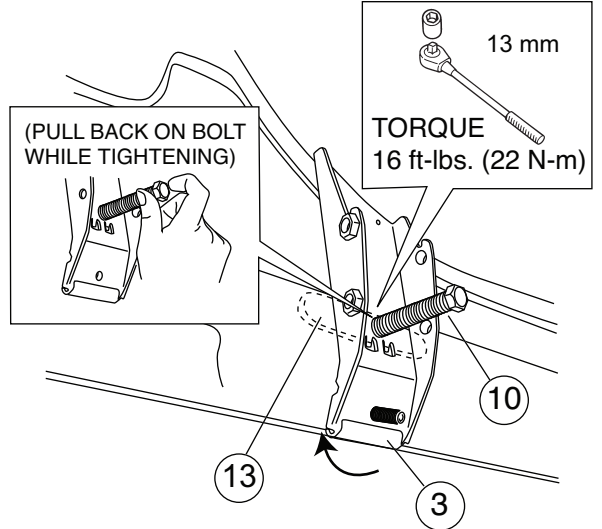
**2** DRIVER REAR BRACKET SHOWN

Install rear mounting bracket



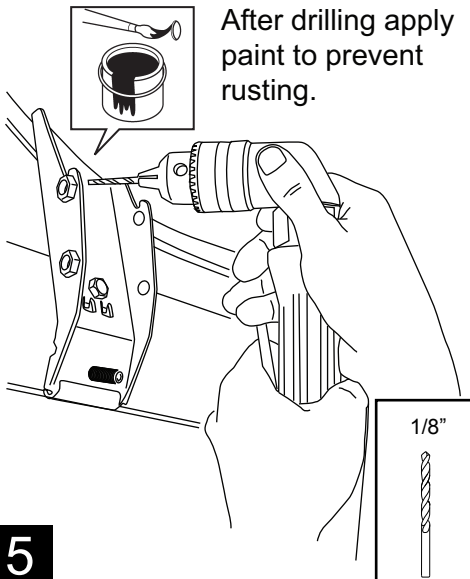
**3**

Fasten down rear mounting bracket



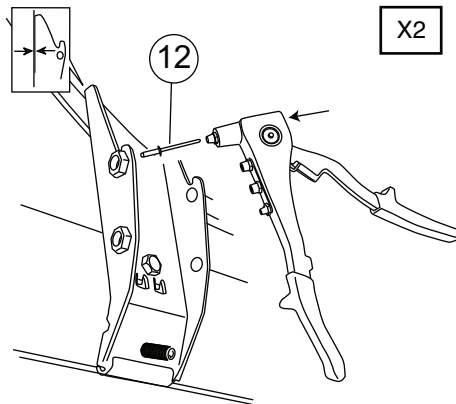
**4**

After drilling apply paint to prevent rusting.



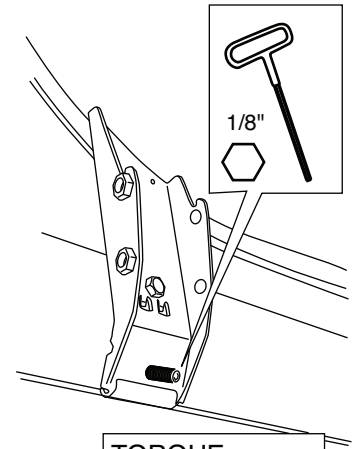
**5**

Bracket must be flush with the sidewall before riveting.



**6**

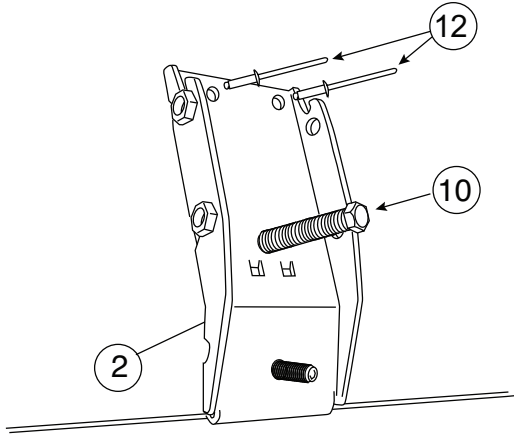
TORQUE 1.5 ft-lbs. (2 N-m)



**7**

AMP RESEARCH POWER STEP – DODGE RAM

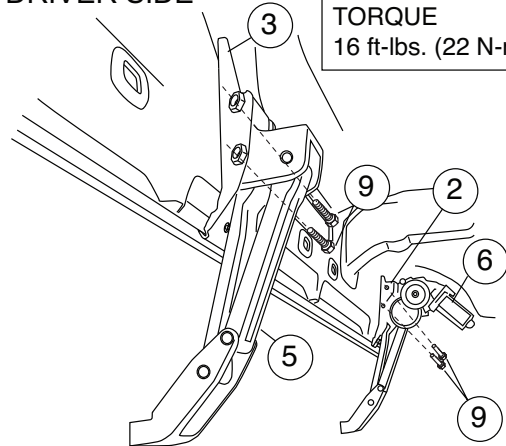
Repeat steps 2 thru 6 for front mounting bracket.



8

DRIVER SIDE

TORQUE  
16 ft-lbs. (22 N-m)

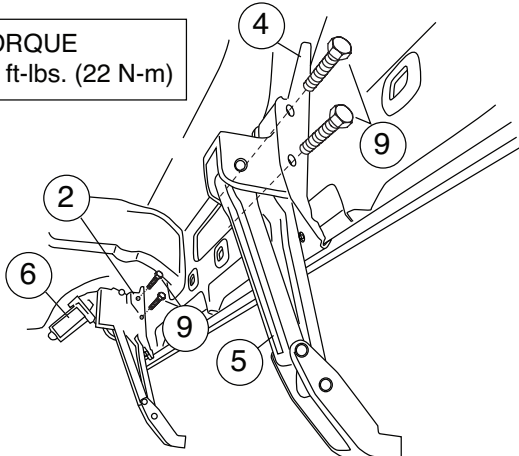


CAUTION: Swing in idler arm can cause pinch point.

9

Install rear mounting bracket

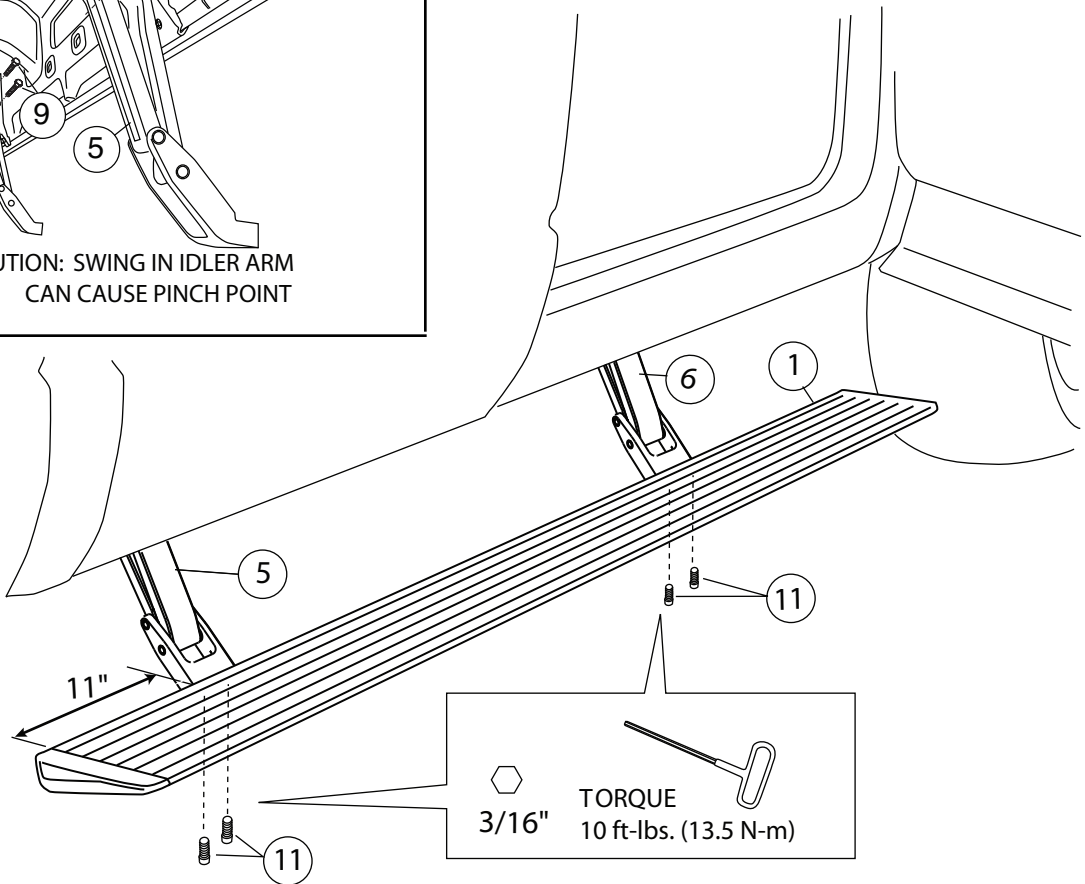
TORQUE  
16 ft-lbs. (22 N-m)



CAUTION: SWING IN IDLER ARM CAN CAUSE PINCH POINT

10

Mount step extrusion to linkage assemblies.  
Fasten loosely to allow for adjustments.

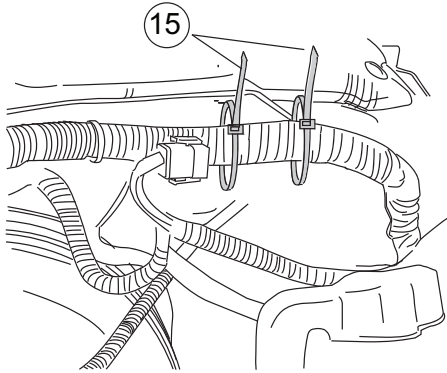


3/16" TORQUE  
10 ft-lbs. (13.5 N-m)

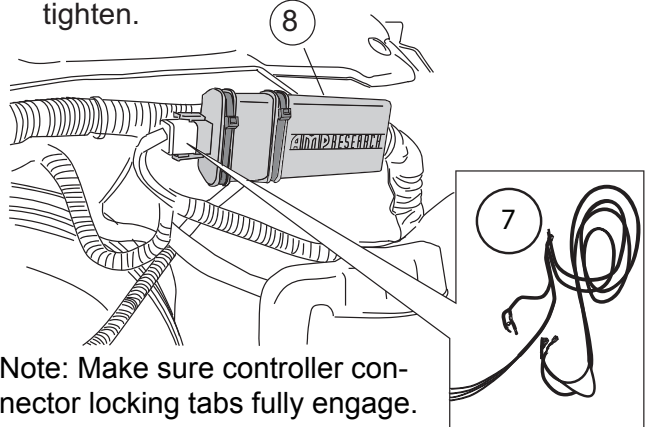
11

AMP RESEARCH POWER STEP – DODGE RAM

Attach 11" cable ties loosely around harness.



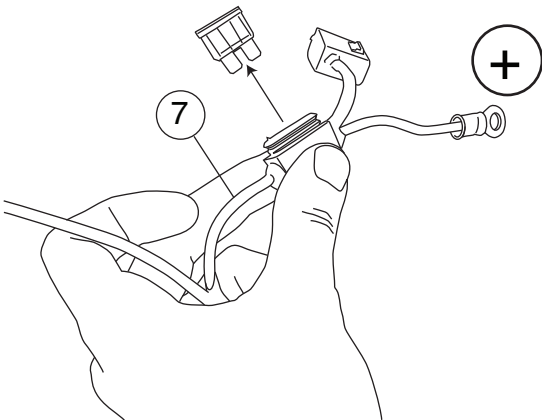
Attach wire harness to the control box. Slide controller through cable ties. Line up cable ties with grooves in controller and tighten.



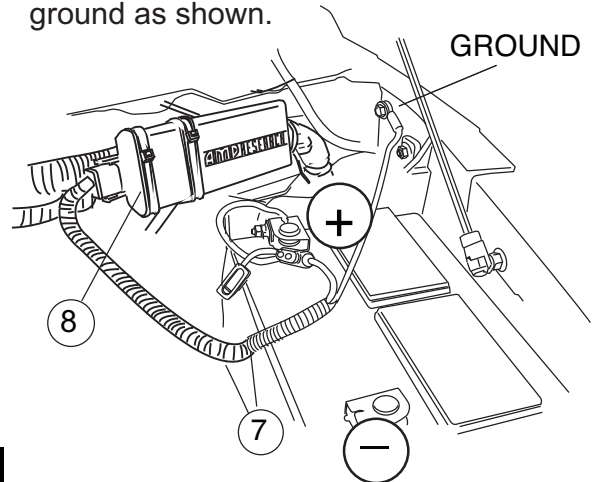
Note: Make sure controller connector locking tabs fully engage.

12

Remove fuse from Power Step wire harness.



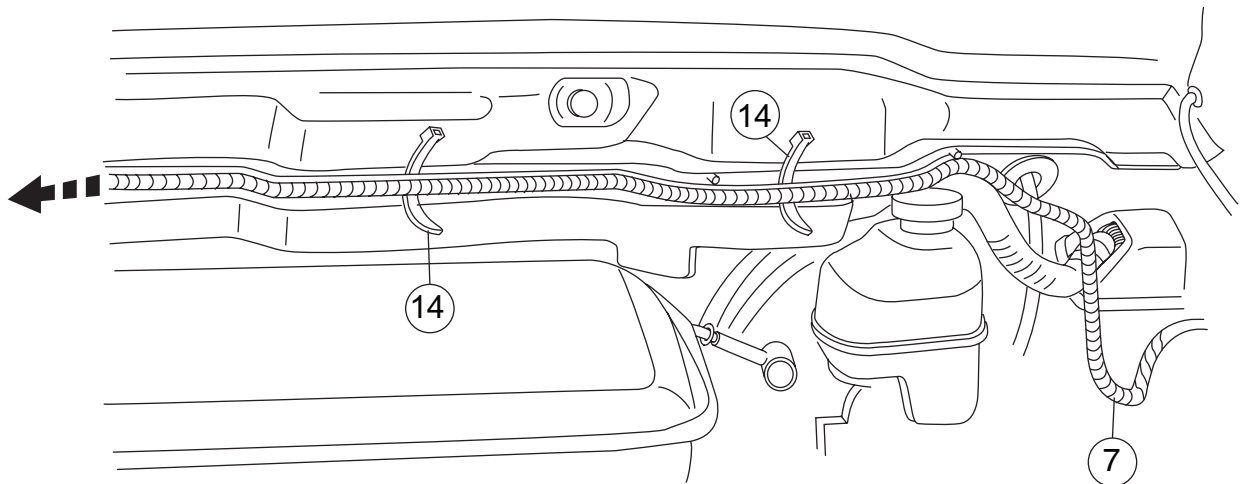
Attach power leads, red lead to positive battery terminal and the black lead to body ground as shown.



13

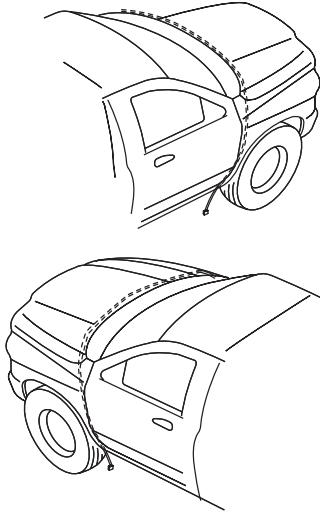
14

Route long leg of wire harness to passenger side across fire wall. Secure with tie wraps.

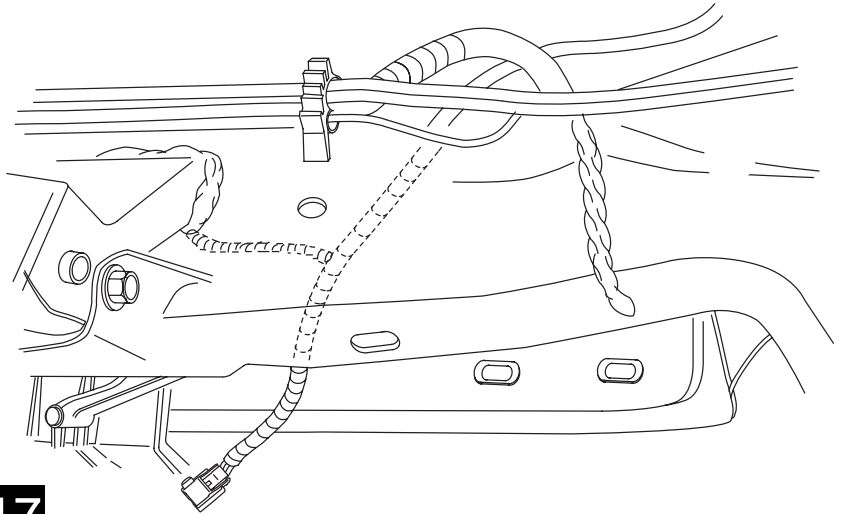


15

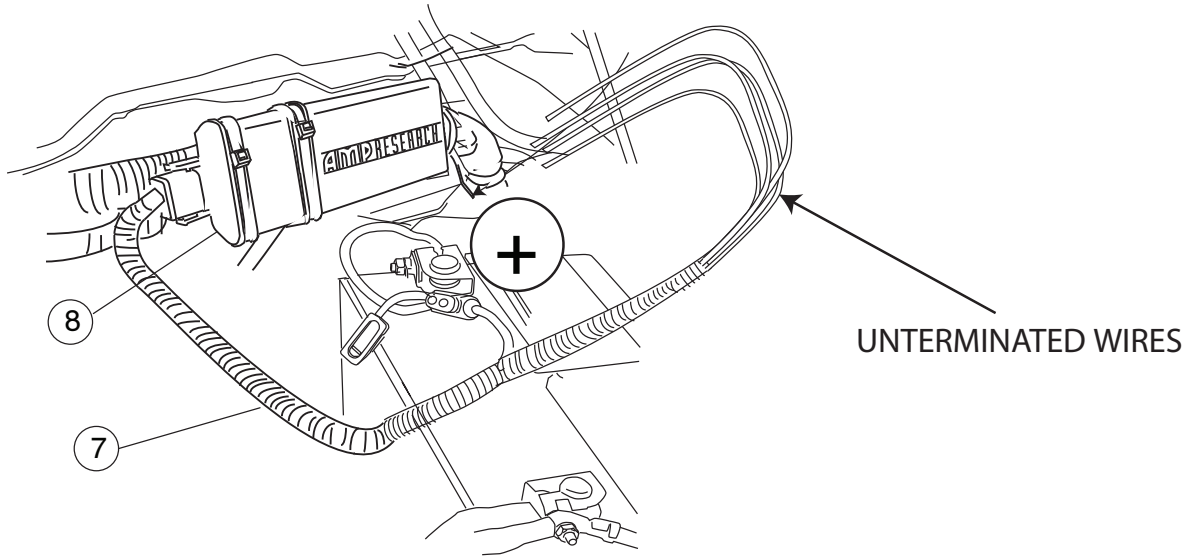
AMP RESEARCH POWER STEP – DODGE RAM



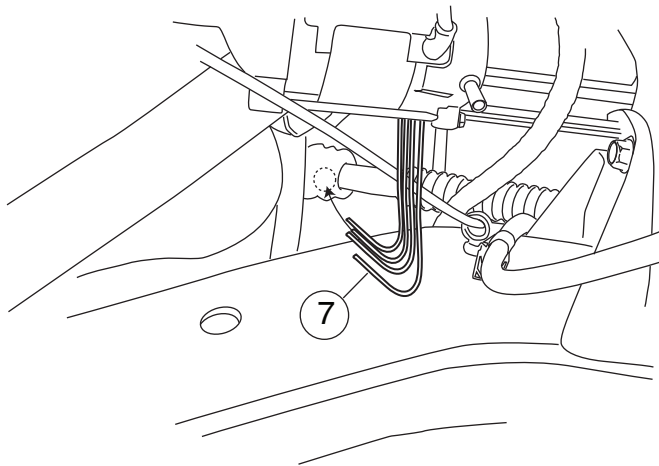
16



17

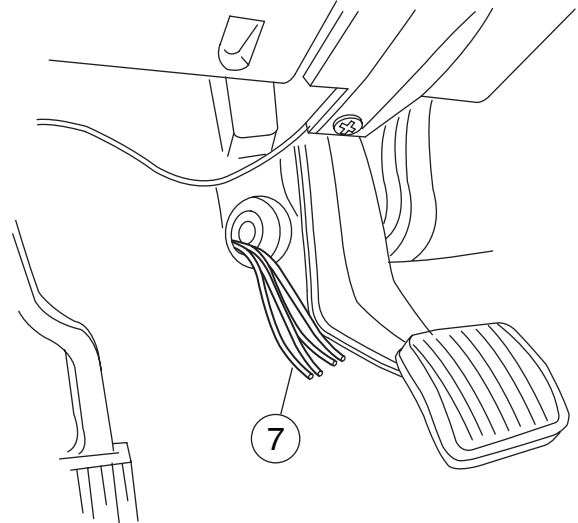


18



UNDER SIDE OF VEHICLE

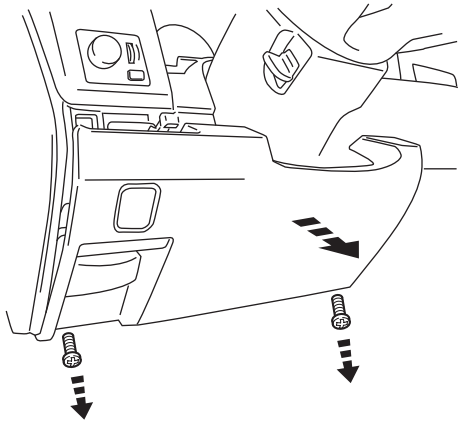
19



20

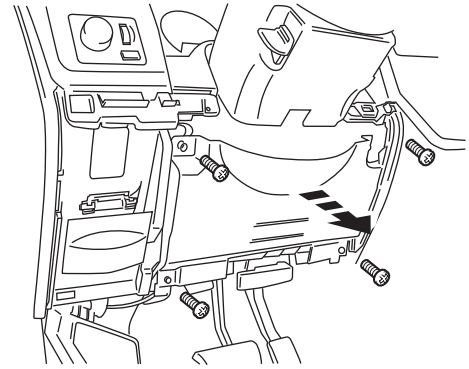


Remove plastic panel beneath steering column.



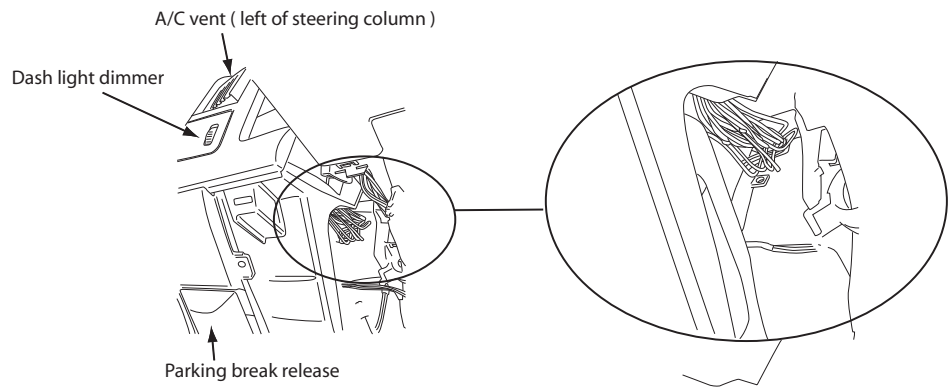
21

Remove metal panel revealed by step 21. Model years 2002-2005 will not have this panel to remove.



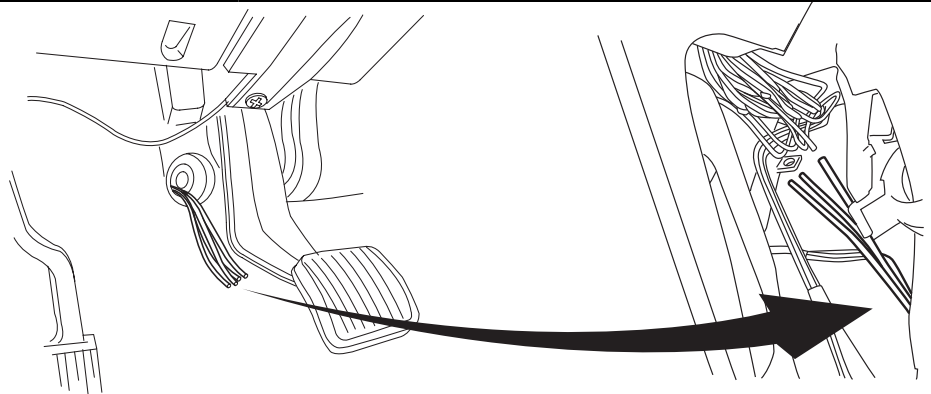
22

Locate bundle of wires high and to the left of diecast steering column mount.  
**Note:** Bundle of wires leads toward back of fuel guage and is located directly above bundle of wires grounded to left panel.



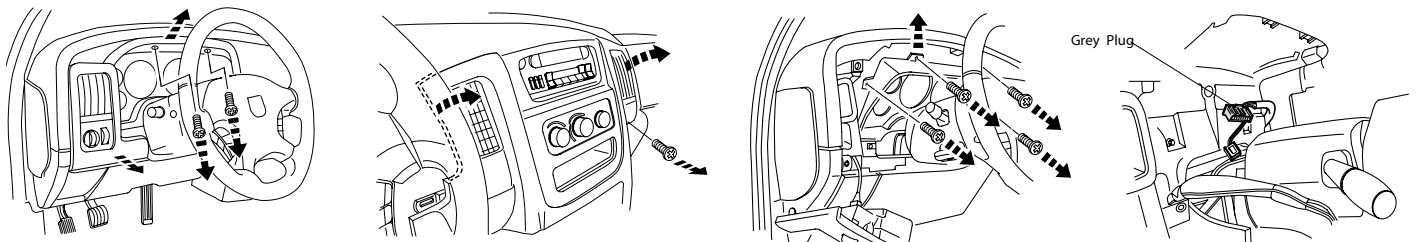
23

Pull wires through and run them up to the wires found in the previous step.



24

Remove the cluster and instrument panel to access the grey plug.



25

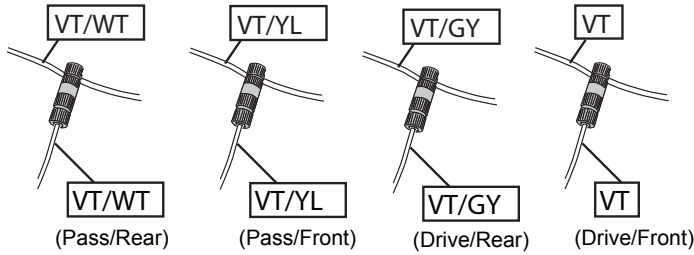
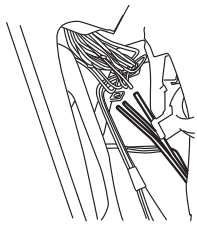
AMP RESEARCH POWER STEP – DODGE RAM

Model Year 2004- 2009

Note: You may find two VL/YL wires in bundle. Only one works correctly.

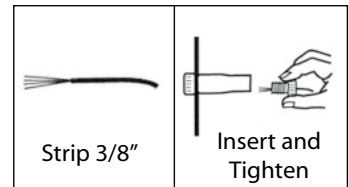
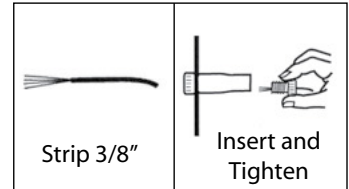
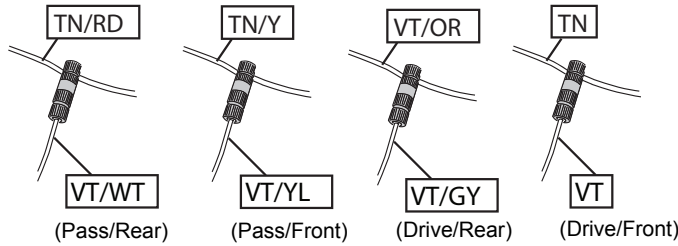
Using supplied Posi-Taps™ splice the Power Step trigger wires into their corresponding door ajar wire. See steps 26 and 27 for wire colors.

26

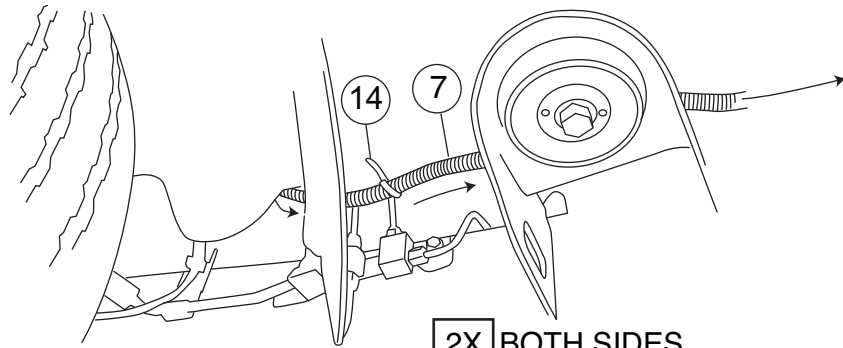


Model Year 2002- 2003

27

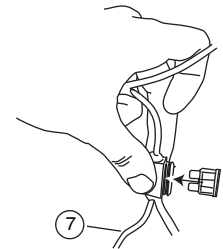


28

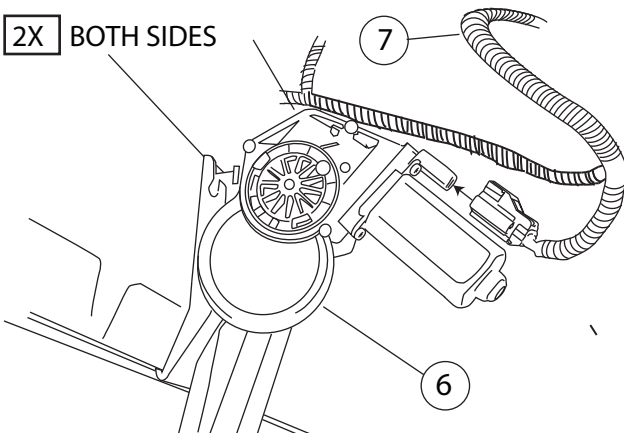


29

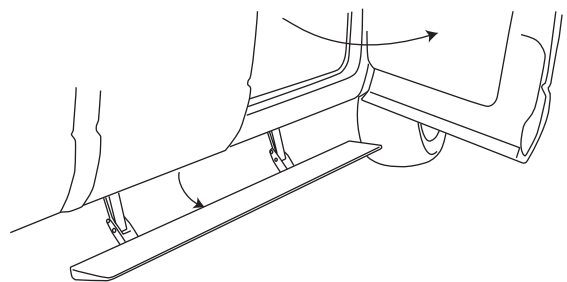
REINSTALL FUSE



30



31



OPEN DOORS TO TEST

# Congratulations on the purchase of your AMP Research Power Step



Here's what you should know...

## OPERATION

The AMP Research Power Step automatically deploys when at least one door opens and automatically retracts under your vehicle when both front and rear doors close. If resistance or blockage is encountered while the Power Step is in motion, the drive system is designed to automatically stop. To reset, simply open or close the vehicle door and the Power Step will resume normal operation.

## MAINTENANCE TIPS

The stepping surface and drive mechanism can be wash with mild soap and water using a soft brush or sponge to dislodge any mud, dirt or accumulated road grime. Rinse with fresh water.

To prevent slipping, avoid applying waxes, lubricants or protectants like Armor All® to the step surface.

When washing your vehicle, the Power Steps can be set to remain deployed with the doors closed for easy cleaning. Do this...

- 1** With the Power Step deployed, press and hold the board down with your foot.
- 2** Close the door while continuing to press down the board. (This will not harm motor.)
- 3** To reset the Power Step, simply open and close the door. (Repeat for both sides of vehicle.)

**CAUTION! BE SURE TO KEEP HANDS AWAY WHEN THE POWER STEP IS IN MOTION.**

[amp-research.com](http://amp-research.com)

## LIMITED WARRANTY

AMP RESEARCH warrants product to be free from defects in material and workmanship, for terms specified below, provided there has been normal use and proper maintenance. All remedies under this warranty are limited to the repair or replacement of any item found by the factory to be defective within the time period specified.

If you have a warranty claim, first you must call our factory at the number below for instructions. You must retain proof of purchase and submit a copy with any items returned for warranty work. Upon completion of warranty work, if any, we will return the repaired or replaced item or items to you freight prepaid. Damage to our products caused by accidents, fire, vandalism, negligence, misinstallation, misuse, Acts of God, or by defective parts not manufactured by us, is not covered under this warranty.

THE WARRANTY TIME PERIOD IS AS FOLLOWS: 5-YEARS FROM DATE OF PURCHASE.

ANY IMPLIED WARRANTIES OF MERCHANTABILITY AND/OR FITNESS FOR A PARTICULAR PURPOSE CREATED HEREBY ARE LIMITED IN DURATION TO THE SAME DURATION AND SCOPE AS THE EXPRESS WRITTEN WARRANTY. OUR COMPANY SHALL NOT BE LIABLE FOR ANY INCIDENTAL OR CONSEQUENTIAL DAMAGE.

Some states do not allow limitations on how long an implied warranty lasts, or the exclusion or limitation of incidental or consequential damages, so the above limitations or exclusions may not apply to you. This warranty gives you specific legal rights, and you may also have other rights that vary from state to state.

## WARNING

Be sure to read and precisely follow the provided instructions when installing this product. Failure to do so could place the vehicle occupants in a potentially dangerous situation. After installing or reinstalling, re-check to insure that the product is