

E4-WM5-Y240A00

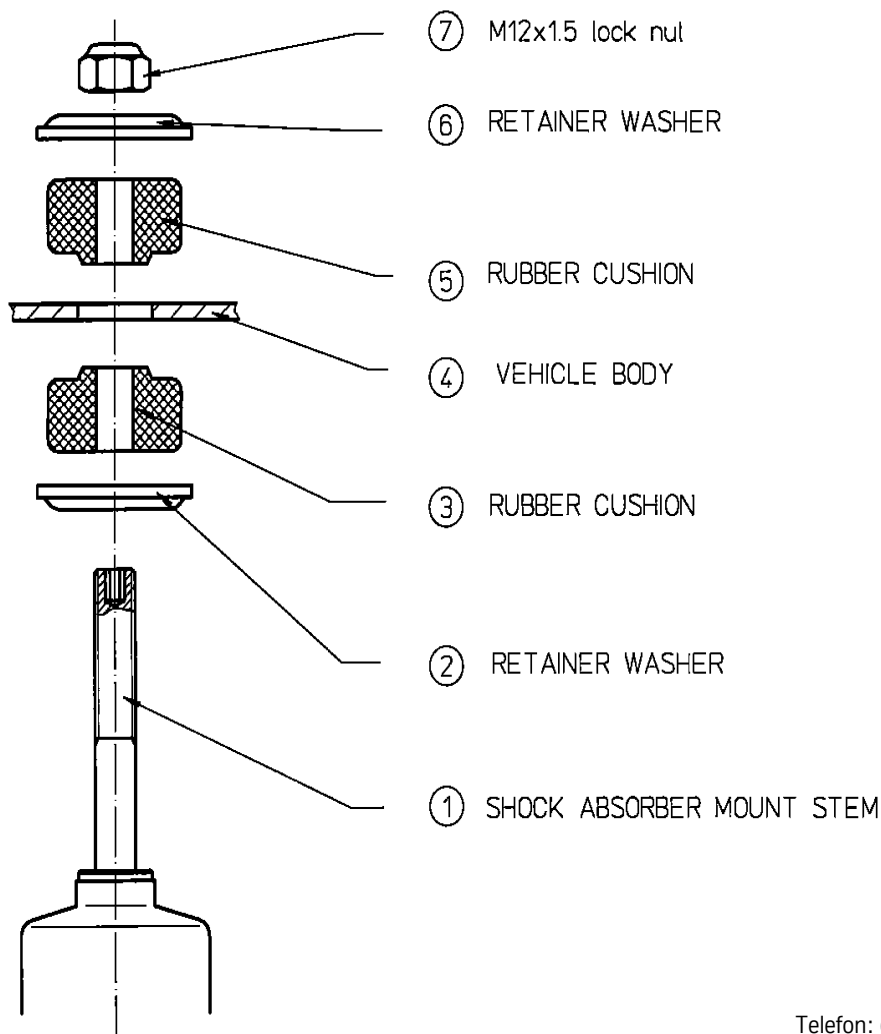
EINBAUANLEITUNG/ MOUNTING INSTRUCTION



Ford F150 2WD front (1997-)

Refer to diagram below for parts identification.

- A. Remove the original equipment front shock absorber.
- B. Install one new retainer washer ② (supplied) onto the shock absorber upper mount stem ① as shown.
- C. Install one new rubber cushion ③ (supplied) over the mount stem as shown.
- D. Push shock absorber upper mount stem with rubber cushion up through vehicle body ④. Ensure that the rubber bushing is centered in the hole in the vehicle body.
- E. While holding upper mount in place, guide the shock absorber lower mount bar over the two threaded studs on the underside of the control arm. Install the original hex nuts onto the threaded studs, and tighten to 26 - 34 Nm (19 - 25 lb/ft).
- F. Install a new rubber cushion ⑤ over the shock absorber upper mount stem as shown.
- G. Install a new retainer washer ⑥ and M12 x 1.5 locknut ⑦ (supplied) onto the upper mount stem. While holding the stem from turning with a 6mm hex key (Allen wrench) in the end of the stem, tighten the lock nut to 47 - 62 Nm (35 - 46 lb/ft).



ThyssenKrupp Bilstein Suspension GmbH
August-Bilstein-Str. 4, 58256 Ennepetal
Postfach 11 51, 58240 Ennepetal
Telefon: (0 23 33) 4791-0, Telefax: (0 23 33) 7 91- 4900
Hotline: 01805- 600- 860; Internet: www.bilstein.de